

LiftMaster®

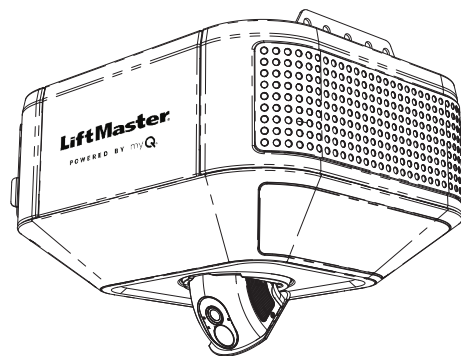
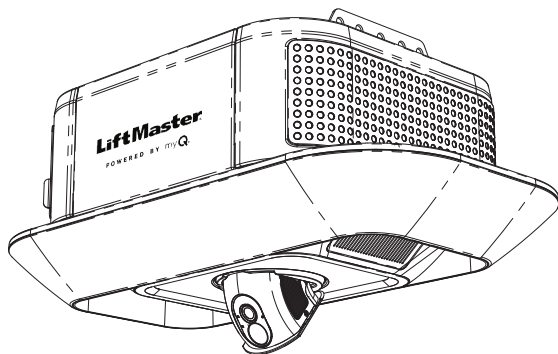
Installation Manual

Smart LED Garage Door Openers

Belt Drive Models: 6690L, 6580L

Chain Drive Models: 4690L

FOR RESIDENTIAL USE ONLY



- Please read this manual and the enclosed safety materials carefully!
- Periodic checks of the garage door opener are required to ensure safe operation.
- This garage door opener is **ONLY** compatible with myQ® and Security+ 3.0® accessories.
- **DO NOT** install on a one-piece door if using devices or features providing unattended close. Unattended devices and features are to be used **ONLY** with sectional doors.
- Attach warning labels to the location indicated on label.

For more information, please visit www.devancocanada.com or call toll free at 1-855-931-3334

Use QR code to
download the
free myQ App.



Download on the
App Store

GET IT ON
Google Play

Available on most iOS and Android Devices

Contents

Preparation	3
myQ®Serial Number	3
Safety Symbol and Signal Word Review	3
Unattended Operation	3
Before You Connect with Your Smartphone	4
Check the Door	4
Tools Needed	5
Carton Inventory 6690L	6
Carton Inventory 4690L	7
Carton Inventory 6580L	8
Assembly	9
Installation	11
Control Panel	18
Install the Protector System®	20
Introduction	20
Power	24
Adjustments	26
Battery Backup*	28
Battery Status LED	29
Operation	30
Features	31
Connect With Your Smartphone	32
Set Up the Camera - Models 6690, 6580, 4690	34
Using the Smart Control Panel®*	35
Remote Control	35
To Erase the Memory	36
To Open the Door Manually	36
Maintenance	37
Maintenance Schedule	37
The Remote Control Battery	37

Troubleshooting	38
Diagnostic Chart	38
Accessories	40
Warranty	41
Automatic Garage Door Opener Safety & Maintenance Guide	42
Garage Door Opener Safety – An Automatic Decision	42
Routine Maintenance Can Prevent Tragedies	43
Repair Parts	44
Rail Assembly Parts 6690	44
Installation Parts	44
Garage Door Opener Parts Model 6690	45
Rail Assembly Parts Models 4690L	46
Garage Door Opener Parts Model 4690	47
Assembly Parts Model 6580L	48
Installation	48
Garage Door Opener Parts 6580	49

Preparation

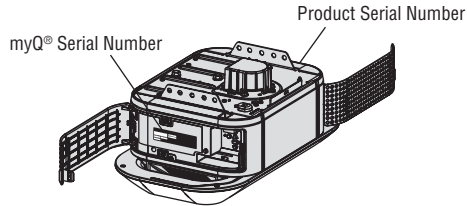
myQ® Serial Number

Write down the following information for future reference:

myQ® Serial Number:

Product Serial Number:

Date of Purchase:



Safety Symbol and Signal Word Review

This garage door opener has been designed and tested to offer safe service provided it is installed, operated, maintained and tested in strict accordance with the instructions and warnings contained in this manual.

When you see these Safety Symbols and Signal Words on the following pages, they will alert you to the possibility of **serious injury or death** if you do not comply with the warnings that accompany them. The hazard may come from something mechanical or from electric shock. Read the warnings carefully.



When you see this Signal Word on the following pages, it will alert you to the possibility of damage to your garage door and/or the garage door opener if you do not comply with the cautionary statements that accompany it. Read them carefully.



WARNING: This product can expose you to chemicals including lead, which are known to the State of California to cause cancer or birth defects or other reproductive harm. For more information go to www.P65Warnings.ca.gov.

Unattended Operation

The Timer-to-Close (TTC) feature and the myQ® app are examples of unattended close and are to be used ONLY with sectional doors. Any device or feature that allows the door to close without being in the line of sight of the door is considered unattended close. The Timer-to-Close (TTC) feature, the myQ® App, and any other myQ® devices are to be used ONLY with sectional doors.

The images throughout this manual are for reference only and your product may look different.

Preparation (continued)

Before You Connect with Your Smartphone

Monitor and control your garage door from anywhere using the myQ® App.

You will need:

- Wi-Fi® enabled smartphone, tablet or laptop
- Broadband Internet Connection
- Wi-Fi® signal in the garage (2.4 GHz, 802.11b/g/n required)
- Password for your home network (router's main account, not guest network)

TEST THE WI-FI® SIGNAL STRENGTH

Make sure your mobile device is connected to your Wi-Fi® network. Hold your mobile device in the place where your garage door opener will be installed and check the Wi-Fi® signal strength.



Check Signal Strength. If you see:



Wi-Fi signal is strong.
The garage door opener will connect to your Wi-Fi network.

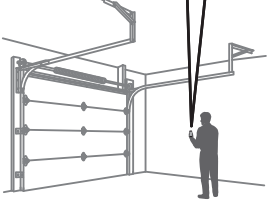


Wi-Fi signal is weak.
The garage door opener may connect to your Wi-Fi network. If not, try one of the options below to improve the Wi-Fi signal:



No Wi-Fi signal.
The garage door opener will not be able to connect to your Wi-Fi network. Try one of the options below to improve the Wi-Fi signal:

- Move your router closer to the garage door opener to minimize interference from walls and other objects
- Buy a Wi-Fi range extender



For compatible router specifications and help, visit support.chamberlaingroup.com.

See page 32 to connect the garage door opener to a mobile device.

Check the Door



WARNING

To prevent possible SERIOUS INJURY or DEATH:

- ALWAYS call a trained door systems technician if garage door binds, sticks, or is out of balance. An unbalanced garage door may NOT reverse when required.
- NEVER try to loosen, move or adjust garage door, door springs, cables, pulleys, brackets or their hardware, ALL of which are under EXTREME tension.
- Disable ALL locks and remove ALL ropes connected to garage door BEFORE installation and operating garage door opener to avoid entanglement.
- DO NOT install on a one-piece door if using devices or features providing unattended close.
- Unattended devices and features are to be used ONLY with sectional doors.



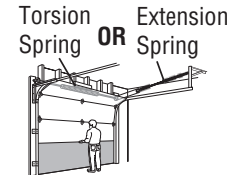
CAUTION

To prevent damage to garage door and opener:

- ALWAYS disable locks BEFORE installing and operating the opener.
- ONLY operate garage door opener at 120V, 60 Hz to avoid malfunction and damage.

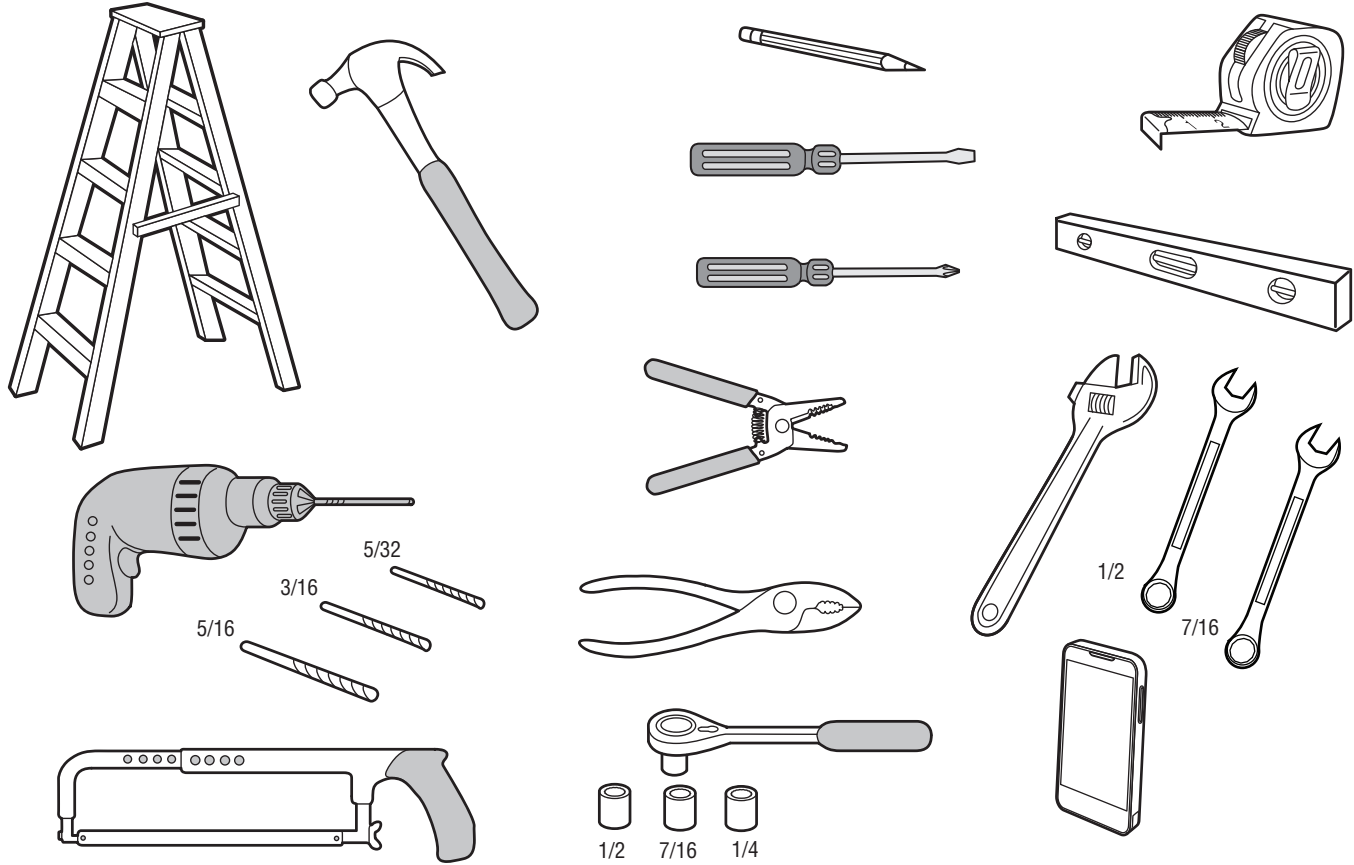
Before you begin:

1. Disable locks and remove any ropes connected to the garage door.
2. Lift the door halfway up. Release the door. If balanced, it should stay in place, supported entirely by its springs.
3. Raise and lower the door to check for binding or sticking. If your door binds, sticks, or is out of balance, call a trained door systems technician.
4. Check the seal on the bottom of the door. Any gap between the floor and the bottom of the door must not exceed 1/4" (6 mm). Otherwise, the safety reversal system may not work properly.
5. The opener should be installed above the center of the door. If there is a torsion spring or center bearing plate in the way of the header bracket, it may be installed within 4 feet (1.2 m) to the left or right of the door center. See page 12.



Preparation (continued)

Tools Needed



Preparation (continued)

Carton Inventory 6690L

Accessories will vary depending on the garage door opener model purchased. Depending on your specific model, other accessories may be included with your garage door opener. The instructions for these accessories will be attached to the accessory and are not included in this manual. **The images throughout this manual are for reference and your product may look different.**

- a. Header bracket
- b. Pulley and bracket
- c. Door bracket
- d. Curved door arm
- e. Straight door arm
- f. Trolley
- g. Emergency release rope and handle
- h. Rail
- i. Garage door opener
- j. Belt cap retainer
- k. Belt
- l. Control panel - Model L958W
- m. White and red/white wire
- n. The Protector System®
Safety reversing sensors with white and white/black wire attached: Sending sensor (1), receiving sensor (1), and safety sensor brackets (2)
- o. Safety labels and literature
- p. Rail grease
- q. Remote control (2)
- r. Battery
- s. Keyless entry

RAIL HARDWARE

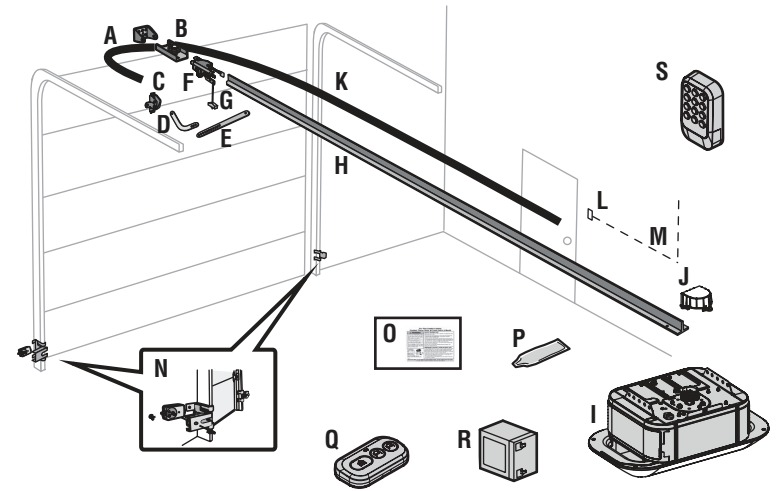
Washed Bolt 5/16"-18 x 1/2" (2) [mounted in the top of the garage door opener]

INSTALLATION HARDWARE

- | | |
|--------------------------------|---|
| Hex Bolt 5/16"-18 x 7/8" (4) | Lock Washer 5/16" (4) |
| Lag Screw 5/16"-9 x 1-5/8" (2) | Self-Threading Screw 1/4"-14 x 5/8" (2) |
| Clevis Pin 5/16" x 2-3/4" (1) | Ring Fastener (3) |
| Clevis Pin 5/16" x 1-1/4" (1) | Hex Screw 10-24 (2) |
| Clevis Pin 5/16" x 1" (1) | Wing Nut (2) |
| Nut 5/16"-18 (4) | Drywall Anchors (2) |

CONTROL PANEL HARDWARE

Screw 6AB x 1-1/4" (2)



Preparation (continued)

Carton Inventory 4690L

Accessories will vary depending on the garage door opener model purchased. Depending on your specific model, other accessories may be included with your garage door opener. The instructions for these accessories will be attached to the accessory and are not included in this manual. **The images throughout this manual are for reference and your product may look different.**

- a. Header bracket
- b. Pulley and bracket
- c. Door bracket
- d. Curved door arm
- e. Straight door arm
- f. Trolley
- g. Emergency release rope and handle
- h. Rail
- i. Garage door opener
- j. Chain spreader with hex screws
- k. Chain
- l. Control Panel - Model L958W
- m. White and red/white wire
- n. The Protector System®
Safety reversing sensors with white and white/black wire attached: Sending sensor (1), receiving sensor (1), and safety sensor brackets (2)
- o. Safety labels and literature
- p. Rail grease
- q. Remote control(s)
- r. Battery
- s. Chassis support bracket

HARDWARE

Chassis Support Bracket Hardware

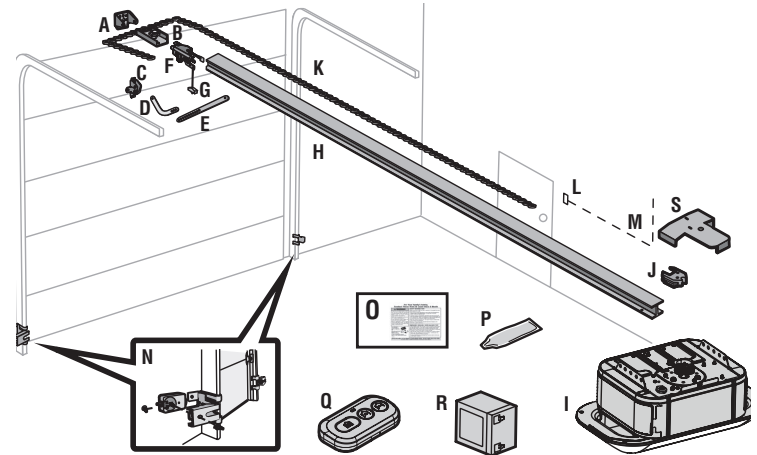
- Screw #8-32 x 3/8" (1)
- Hex Bolts 1/4"-20 x 5/8" (2)

INSTALLATION HARDWARE

- Hex Bolt 5/16"-18 x 7/8" (4)
- Lag Screw 5/16"-9 x 1-5/8" (2)
- Clevis Pin 5/16" x 2-3/4" (1)
- Clevis Pin 5/16" x 1-1/4" (1)
- Clevis Pin 5/16" x 1" (1)
- Nut 5/16"-18 (4)
- Lock Washer 5/16" (4)
- Self-Threading Screw 1/4"-14 x 5/8" (2)
- Ring Fastener (3)
- Hex Screw 10-24 (2)
- Wing Nut (2)
- Hex Bolt 1/4"-20 x 5/8" (2)
- Lock Nut 1/4"-20 (2)
- Lag Screw 1/4" x 1-1/2" (4)

CONTROL PANEL HARDWARE

- Screw 6AB x 1-1/4" (2)
- Drywall Anchors (2)



Preparation (continued)

Carton Inventory 6580L

Accessories will vary depending on the garage door opener model purchased. Depending on your specific model, other accessories may be included with your garage door opener. The instructions for these accessories will be attached to the accessory and are not included in this manual. **The images throughout this manual are for reference and your product may look different.**

- a. Header bracket
 - b. Pulley and bracket
 - c. Door bracket
 - d. Curved door arm
 - e. Straight door arm
 - f. Trolley
 - g. Emergency release rope and handle
 - h. Rail
 - i. Garage door opener
 - j. Belt cap retainer
 - k. Belt
 - l. Control panel - Model L957W
 - m. White and red/white wire
 - n. The Protector System®
- Safety reversing sensors with 2 conductor white and white/black wire attached:**
Sending sensor (1), receiving sensor (1), and safety sensor brackets (2)
- o. Safety labels and literature
 - p. Rail grease
 - q. Remote control(s)
 - r. Battery

INSTALLATION HARDWARE

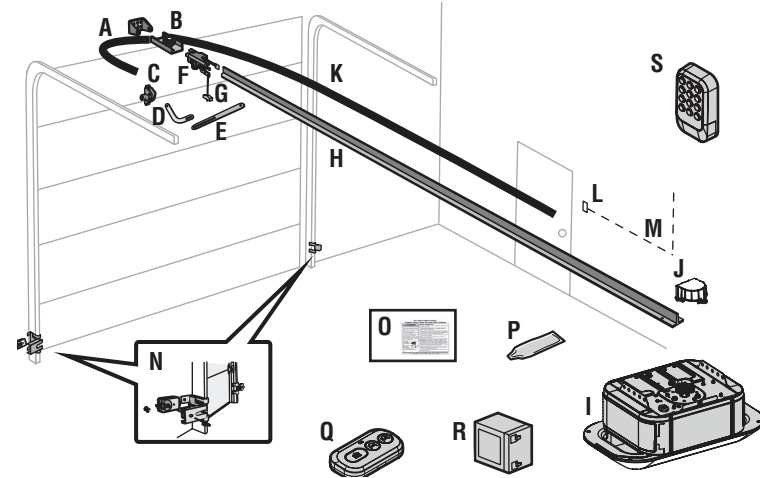
- | | |
|--------------------------------|---|
| Hex Bolt 5/16"-18 x 7/8" (4) | Lock Washer 5/16" (4) |
| Lag Screw 5/16"-9 x 1-5/8" (2) | Self-Threading Screw 1/4"-14 x 5/8" (2) |
| Clevis Pin 5/16" x 2-3/4" (1) | Ring Fastener (3) |
| Clevis Pin 5/16" x 1-1/4" (1) | Hex Screw 10-24 (2) |
| Clevis Pin 5/16" x 1" (1) | Wing Nut (2) |
| Nut 5/16"-18 (4) | |

RAIL HARDWARE

Washer Bolt 5/16"-18 x 1/2" (2) (mounted in the top of the garage door opener)

CONTROL PANEL HARDWARE

Screw 6AB x 1-1/4" (2)
Drywall Anchors (2)



Assembly

1 Attach the Belt Rail to the Garage Door Opener 6690L, 6580L

WARNING

To avoid possible SERIOUS INJURY to finger from moving garage door opener:

- ALWAYS keep hand clear of sprocket while operating opener.

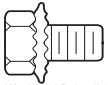
CAUTION

To avoid SERIOUS damage to garage door opener, use ONLY those bolts/fasteners mounted in the top of the opener.

NOTE: ONLY use the bolts removed from the garage door opener. Place the garage door opener on the packing material to prevent scratching.

1. **Models 6690L and 6580L** Remove the two bolts from the top of the garage door opener.
2. Cut away and discard the tape and Styrofoam from around the rail, proceed to align the holes in the rail with the holes in the garage door opener.
3. Fasten the rail with the previously mentioned bolts.
4. Position the belt around the garage door opener sprocket.
5. Position the belt cap retainer over the garage door opener sprocket and attach with hex screws.

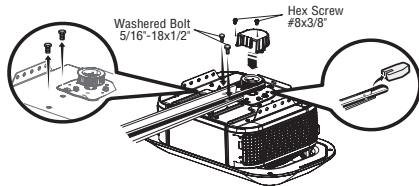
HARDWARE



Washed Bolt 5/16"-18x1/2"
(Mounted in the garage door opener)

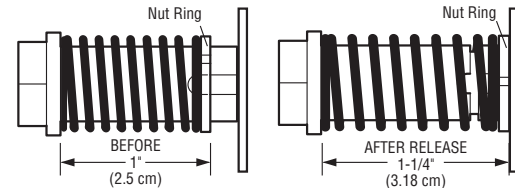
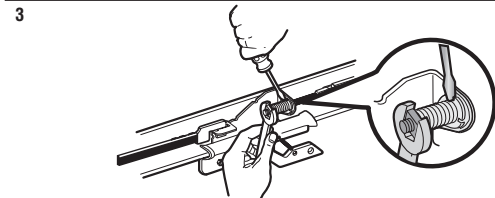
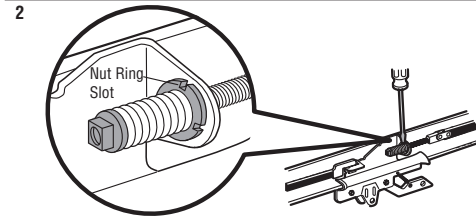
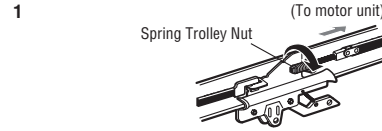


Hex Screw
#8x3/8"



2 Tighten the Belt

1. By hand, thread the spring trolley nut on the threaded shaft until it is finger tight against the trolley. Do not use any tools.
2. Insert a flathead screwdriver tip into one of the nut ring slots and brace it firmly against the trolley.
3. Tighten the spring trolley nut with an adjustable wrench or a 7/16" open end wrench about a quarter turn until the spring releases and snaps the nut ring against the trolley. This sets the spring to optimum belt tension.



Assembly (continued)

1 Attach the I-Beam Chain Rail to the Garage Door Opener 4690

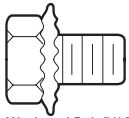
CAUTION

To avoid **SERIOUS** damage to garage door opener, use **ONLY** those bolts/fasteners mounted in the top of the opener.

NOTE: *ONLY* use the bolts removed from the garage door opener. Place the garage door opener on the packing material to prevent scratching.

1. Remove the two bolts from the top of the garage door opener.
2. Cut away and discard the tape and Styrofoam from around the rail, proceed to align the holes in the rail with the holes in the garage door opener.
3. Fasten the rail with the previously mentioned bolts.
4. Attach the chain spreader to the garage door opener with screws.
5. Guide the chain around the selected groove in the chain spreader.
6. Position the chain around the garage door opener sprocket.

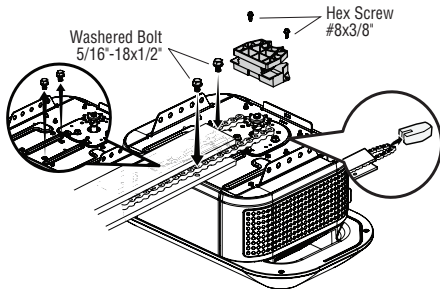
HARDWARE



Washed Bolt 5/16-18x1/2"
(Mounted in the garage door opener)



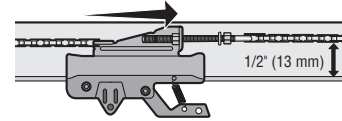
Hex Screw
#8x3/8"



2 Tighten the Chain

1. Loosen the inner nut and lock washer on the trolley threaded shaft.
2. Tighten the outer nut until the chain is 1/2" above the base of the rail at the midpoint of the rail.
3. Re-tighten the inner nut.

Slack in the chain is normal when the door is closed. No readjustment is necessary.



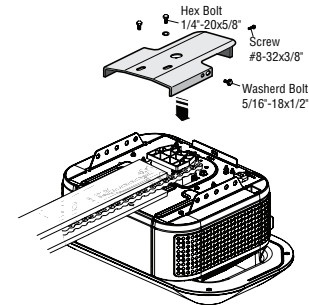
3 Attach the Chassis Support Bracket

WARNING

To avoid possible **SERIOUS INJURY** to finger from moving garage door opener:

- **ALWAYS** keep hand clear of sprocket while operating opener.

1. Position the chassis support bracket on the unit.
2. Attach the bracket to the rail with 1/4"-20 x 5/8" hex bolts and lock washers. **Do not overtighten.**
3. Attach the bracket to the opener by inserting a 5/16"-18 x 1/2" washered screw through a hole in each side flange and a matching hole in the bracket. Complete the connection by inserting the #8-32 x 3/8" screw through the back flange and the hole in rail support.



Important Safety Instructions



To reduce the risk of SEVERE INJURY or DEATH:

1. READ AND FOLLOW ALL INSTALLATION WARNINGS AND INSTRUCTIONS.
2. Install garage door opener ONLY on properly balanced and lubricated garage door. An improperly balanced door may NOT reverse when required and could result in SEVERE INJURY or DEATH.
3. ALL repairs to cables, spring assemblies and other hardware MUST be made by a trained door systems technician BEFORE installing opener.
4. Disable ALL locks and remove ALL ropes connected to garage door BEFORE installing opener to avoid entanglement.
5. Where possible, install the door opener 7 feet (2.13 m) or more above the floor.
6. Mount the emergency release within reach, but at least 6 feet (1.83 m) above the floor and avoiding contact with vehicles to avoid accidental release.
7. NEVER connect garage door opener to power source until instructed to do so.
8. NEVER wear watches, rings or loose clothing while installing or servicing opener. They could be caught in garage door or opener mechanisms.
9. Install wall-mounted garage door control:
 - within sight of the garage door.
 - out of reach of small children at a minimum height of 5 feet (1.5 m) above floors, landings, steps or any other adjacent walking surface.
 - away from ALL moving parts of the door.
10. Place entrapment warning label on wall next to garage door control in a prominent location.
11. Place emergency release/safety reverse test label in plain view on inside of garage door.
12. Upon completion of installation, test safety reversal system. Door MUST reverse on contact with a 1-1/2" (3.8 cm) high object (or a 2x4 laid flat) on the floor.
13. DO NOT install on a one-piece door if using devices or features providing unattended close. Unattended devices and features are to be used ONLY with sectional doors.

14. SAVE THESE INSTRUCTIONS.

Installation (continued)

1 Determine the Header Bracket Location

WARNING

To prevent possible SERIOUS INJURY or DEATH:

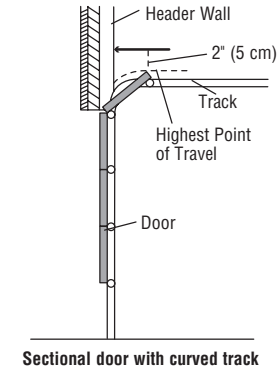
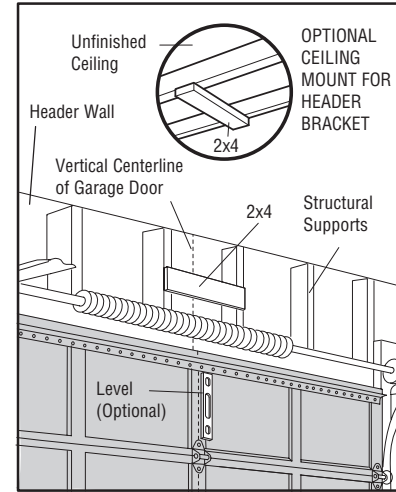
- Header bracket **MUST** be RIGIDLY fastened to structural support on header wall or ceiling, otherwise garage door might NOT reverse when required. DO NOT install header bracket over drywall.
- Concrete anchors **MUST** be used if mounting header bracket or 2x4 into masonry.
- NEVER try to loosen, move or adjust garage door, springs, cables, pulleys, brackets, or their hardware, ALL of which are under EXTREME tension.
- ALWAYS call a trained door systems technician if garage door binds, sticks, or is out of balance. An unbalanced garage door might NOT reverse when required.

Close the door and mark the inside vertical centerline of the garage door.

Extend the line onto the header wall above the door. You can fasten the header bracket within 4 feet (1.22 m) of the left or right of the door center only if a torsion spring or center bearing plate is in the way; or you can attach it to the ceiling when clearance is minimal. (It may be mounted on the wall upside down if necessary, to gain approximately 1/2" (1 cm). If you need to install the header bracket on a 2x4 (on wall or ceiling), use lag screws (not provided) to securely fasten the 2x4 to structural supports.

Open your door to the highest point of travel as shown. Draw an intersecting horizontal line on the header wall 2" (5 cm) above the high point. This height will provide travel clearance for the top edge of the door.

NOTE: If the total number of inches exceeds the height available in your garage, use the maximum height possible, or refer to page 13 for ceiling installation.



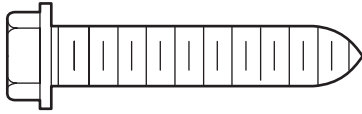
Installation (continued)

2 Install the Header Bracket

You can attach the header bracket either to the wall above the garage door, or to the ceiling. Follow the instructions which will work best for your particular requirements. **Do not install the header bracket over drywall. If installing into masonry, use concrete anchors (not provided).**

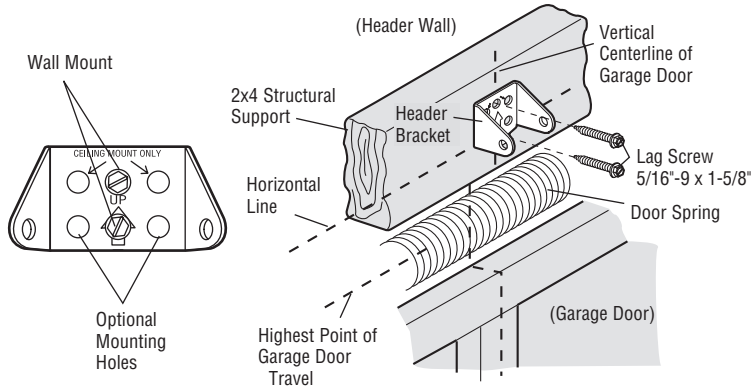
HARDWARE

Lag Screw 5/16"-9x1-5/8"



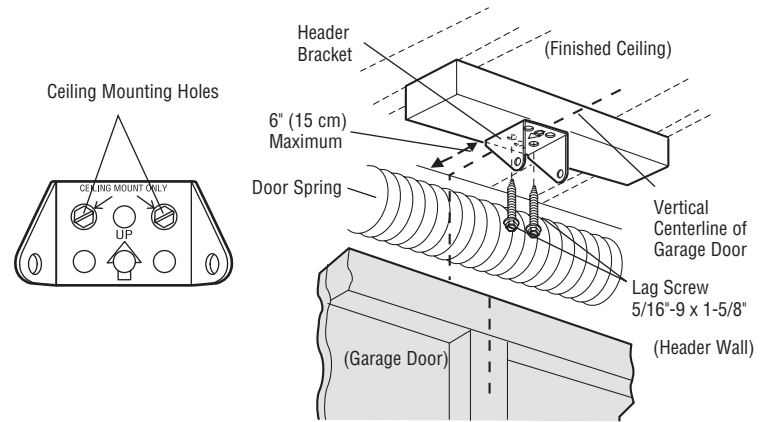
OPTION A - WALL INSTALLATION

1. Center the bracket on the vertical centerline with the bottom edge of the bracket on the horizontal line as shown (with the arrow pointing toward the ceiling).
2. Mark the vertical set of bracket holes (do not use the holes designated for ceiling mount). Drill 3/6" pilot holes and fasten the bracket securely to a structural support with lag screws.



OPTION B - CEILING INSTALLATION

1. Extend the vertical centerline onto the ceiling as shown.
2. Center the bracket on the vertical mark, no more than 6" (15 cm) from the wall. Make sure the arrow is pointing toward the wall. The bracket can be mounted flush against the ceiling when clearance is minimal.
3. Mark the side holes. Drill 3/16" pilot holes and fasten bracket securely to a structural support with the hardware provided.



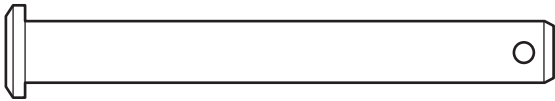
Installation (continued)

3 Attach the Rail to the Header Bracket

1. Align the rail with the header bracket. Insert the clevis pin through the holes in the header bracket and rail. Secure with the ring fastener.

NOTE: Use the packing material as a protective base for the garage door opener.

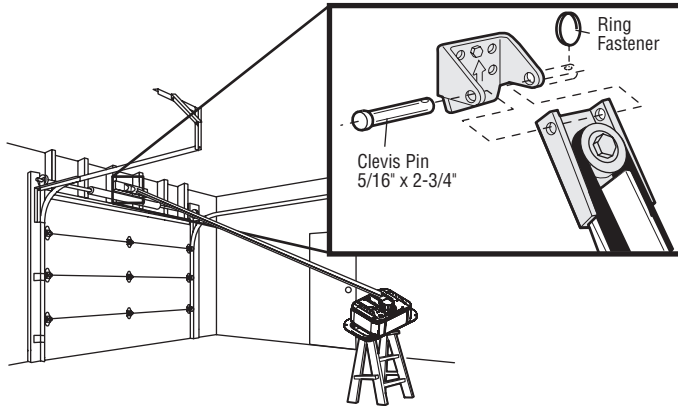
HARDWARE



Clevis Pin 5/16" x 2-3/4"



Ring Fastener



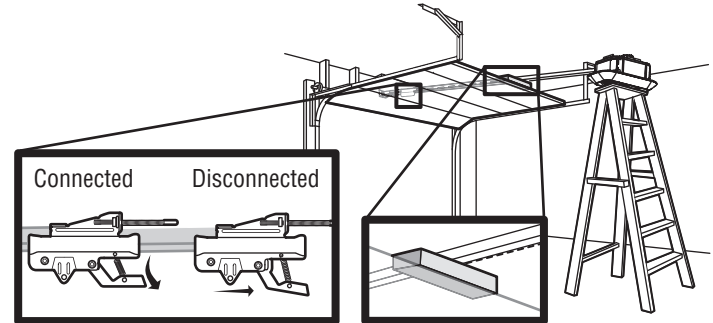
4 Position the Garage Door Opener

CAUTION

To prevent damage to garage door, rest garage door opener rail on 2x4 placed on top section of door.

1. Remove the packing material and lift the garage door opener onto a ladder.
2. Fully open the door and place a 2x4 (laid flat) under the rail.

A 2x4 is ideal for setting the distance between the rail and the door. If the ladder is not tall enough you will need help at this point. If the door hits the trolley when it is raised, pull the trolley release arm down to disconnect the inner and outer trolley. Slide the outer trolley toward the garage door opener. The trolley can remain disconnected until instructed.



Installation (continued)

5 Hang the Garage Door Opener

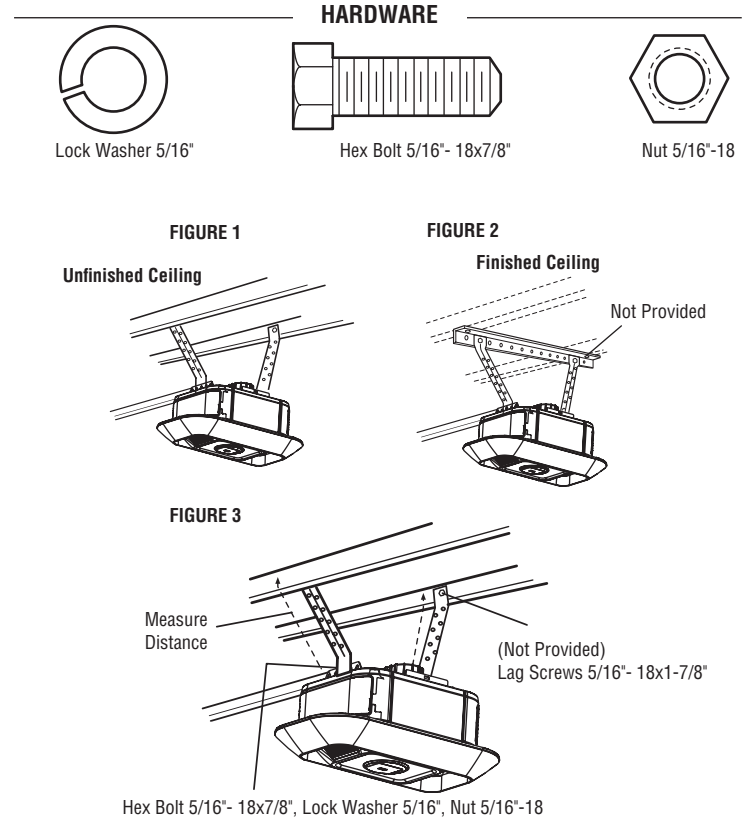
WARNING

To avoid possible **SERIOUS INJURY** from a falling garage door opener, fasten it **SECURELY** to structural supports of the garage. Concrete anchors **MUST** be used if installing **ANY** brackets into masonry.

Hanging your garage door opener will vary depending on your garage. Two representative installations are shown. Yours may be different. Hanging brackets should be angled (Figure 1) to provide rigid support. On finished ceilings (Figure 2), attach a sturdy metal bracket to structural supports before installing the opener. This bracket and fastening hardware are not provided.

1. Check to make sure the rail is centered over the door (or in line with the header bracket if the bracket is not centered above the door).
2. Measure the distance from each side of the motor unit to the structural support (Figure 3).
3. Cut both pieces of the hanging bracket to required lengths.
4. Drill 3/16" pilot holes in the structural supports.
5. Attach one end of each bracket to a support with 5/16"-18 x 1-7/8" lag screws (not provided).
6. Fasten the opener to the hanging brackets with 5/16"-18 x 7/8" hex bolts, lock washers and nuts.
7. Remove the 2x4. Operate the door manually. If the door hits the rail, raise the header bracket.

NOTE: DO NOT connect power to opener at this time.



Installation (continued)

6 Attach the Emergency Release Rope and Handle

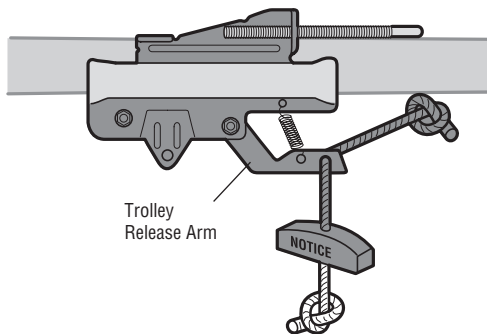
WARNING

To prevent possible **SERIOUS INJURY** or **DEATH** from a falling garage door:

- If possible, use emergency release handle to disengage trolley **ONLY** when garage door is **CLOSED**. Weak or broken springs or unbalanced door could result in an open door falling rapidly and/or unexpectedly.
- **NEVER** use emergency release handle unless garage doorway is clear of persons and obstructions.
- **NEVER** use handle to pull door open or closed. If rope knot becomes untied, you could fall.

1. Insert one end of the emergency release rope through the handle. Make sure that "NOTICE" is right side up. Secure with an overhand knot at least 1" (2.5 cm) from the end of the rope to prevent slipping.
2. Close the door manually to access the trolley and continue to the next step.
3. Insert the other end of the emergency release rope through the hole in the trolley release arm. Mount the emergency release within reach, but at least 6 feet (1.83 m) above floor, avoiding contact with vehicles to prevent accidental release and secure with an overhand knot.

NOTE: If it is necessary to cut the emergency release rope, seal the cut end with a match or lighter to prevent unraveling. Ensure the emergency release rope and handle are above the top of all vehicles to avoid entanglement.

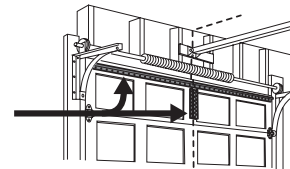


7 Install the Door Bracket

CAUTION

Fiberglass, aluminum or lightweight steel garage doors **WILL REQUIRE** reinforcement **BEFORE** installation of door bracket. Contact the garage door manufacturer or installing dealer for opener reinforcement instructions or reinforcement kit.

A horizontal and vertical reinforcement is needed for lightweight garage doors (fiberglass, aluminum, steel, doors with glass panel, etc.) (not provided). A horizontal reinforcement brace should be long enough to be secured to two or three vertical supports. A vertical reinforcement brace should cover the height of the top panel. Contact the garage door manufacturer or installing dealer for opener reinforcement instructions or reinforcement kit.



NOTE: Many door reinforcement kits provide for direct attachment of the clevis pin and door arm. In this case you will not need the door bracket; proceed to the next step.

REINFORCING LIGHTWEIGHT SECTIONAL GARAGE DOORS

To ensure the safe and reliable operation of a garage door opener, it is critical to reinforce the top section of lightweight sectional garage doors in accordance with the manufacturer's specifications.

- This reinforcement strengthens the area where the operator arm connects to the door, enabling it to withstand the repeated forces applied during opening and closing cycles.
- Without proper reinforcement, the top section may flex, deform, or fail over time—compromising both the performance and the safety of the entire system.

SECTIONAL DOORS

1. Center the door bracket on the previously marked vertical centerline used for the header bracket installation. Note correct UP placement, as stamped inside the bracket.
2. Position the top edge of the bracket 2"-4" (5-10 cm) below the top edge of the door, OR directly below any structural support across the top of the door.
3. Mark, drill holes and install as follows, depending on your door's construction:

Metal or light weight doors using a vertical angle iron brace between the door panel support and the door bracket:

- Drill 3/16" fastening holes. Secure the door bracket using the two self threading screws. (Figure 1)
- Alternately, use two 5/16"-18x2" bolts, lock washers and nuts (not provided). (Figure 2)

Installation (continued)

Metal, insulated or light weight factory reinforced doors:

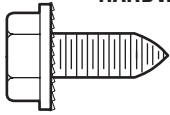
- Drill 3/16" fastening holes. Secure the door bracket using the self-threading screws. (Figure 3)

Wood Doors:

- Use top and bottom or side to side door bracket holes. Drill 5/16" holes through the door and secure bracket with 5/16"-18 x 2" carriage bolts, lock washers and nuts (not provided). (Figure 4)

NOTE: The 1/4"-14 x 5/8" self-threading screws are not intended for use on wood doors.

HARDWARE



Self-Threading Screw
1/4"-14 x 5/8"

FIGURE 1

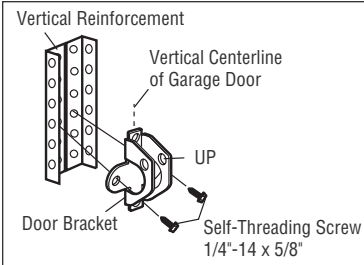


FIGURE 2

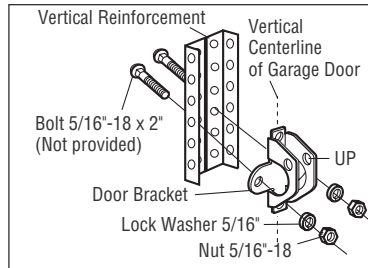


FIGURE 3

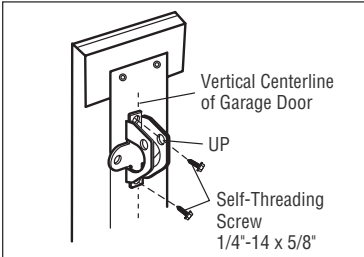
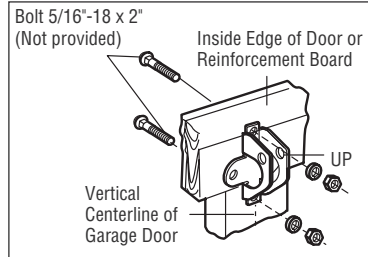


FIGURE 4



8 Connect the Door Arm to the Trolley

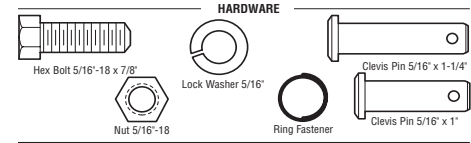
IMPORTANT: The groove on the straight door arm **MUST** face away from the curved door arm.

1. Close the door. Disconnect the trolley by pulling the emergency release handle. Slide the outer trolley back (away from the door) about 2" (5 cm).
2. Attach the straight door arm to the outer trolley using the clevis pin. Attach with the ring fastener.
3. Attach the curved door arm to the door bracket using the clevis pin. Attach with the ring fastener.
4. Align the straight door arm with the curved door arm. Select two aligned holes (as far apart as possible) and attach using the bolts, nuts and lock washers.

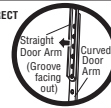
NOTE: When the garage door is in the fully closed position, the curved arm connecting the operator to the door should be positioned so that the lower portion of the arm—extending from the door bracket—is as close to horizontal as possible. This alignment ensures optimal mechanical leverage and smooth operation of the drawbar operator.

NOTE: If the holes do not line up, reverse the straight door arm. Select two aligned holes (as far apart as possible) and attach using the bolts, nuts and lock washers.

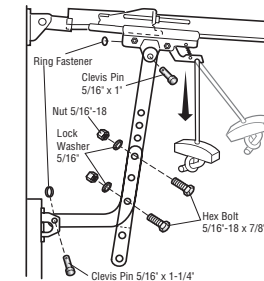
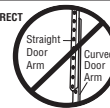
5. Pull the emergency release handle toward the garage door opener until the trolley release arm is horizontal. The trolley will re-engage automatically when the garage door opener is activated.



CORRECT



INCORRECT



Control Panel

1 Install the Control Panel

WARNING

To prevent possible **SERIOUS INJURY** or **DEATH** from electrocution:

- Be sure power is **NOT** connected **BEFORE** installing control panel.
- Connect control panel **ONLY** to 12 VOLT low voltage wires.

To prevent possible **SERIOUS INJURY** or **DEATH** from a closing garage door:

- Install control panel within sight of garage door, out of reach of small children at a minimum height of 5 feet (1.5 m) above floors, landings, steps or any other adjacent walking surface, and away from **ALL** moving parts of door.
- **NEVER** permit children to operate or play with control panel push buttons or remote control transmitters.
- Activate door **ONLY** when it can be seen clearly, is properly adjusted, and there are no obstructions to door travel.
- **ALWAYS** keep garage door in sight until completely closed. **NEVER** permit anyone to cross path of closing garage door.

INTRODUCTION

Compatible with myQ® and Security+ 3.0 accessories, see page 40. Your garage door opener is compatible with up to 2 Control Panels.

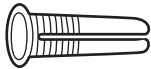
NOTE: Older control panels and third party products are not compatible.

For gang box installations it is not necessary to drill holes or install the drywall anchors. Use the existing holes in the gang box.

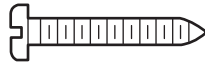
NOTE: Your product may look different than the illustrations.

HARDWARE

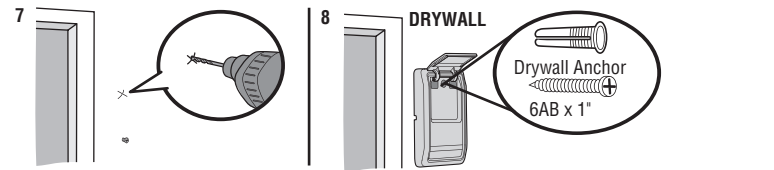
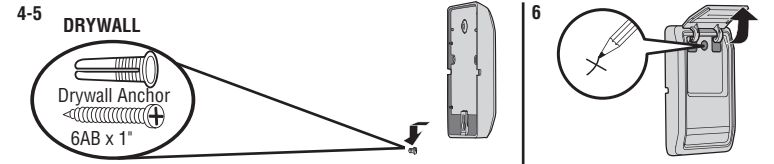
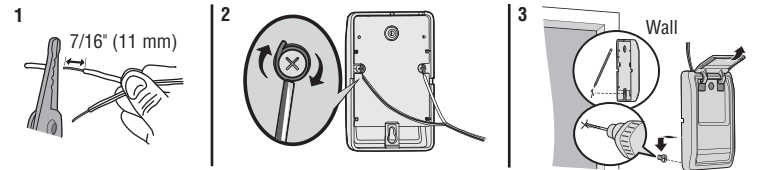
Drywall Anchors (2)



Screw
6AB x 1" (2)



1. Strip 7/16" (11 mm) of insulation from one end of the wire and separate the wires.
2. Connect one wire to each of the two screws on the back of the control panel. The wires can be connected to either screw.
PRE-WIRED INSTALLATIONS: Choose any two wires to connect, note which wires are used so the correct wires are connected at the garage door opener in a later step.
3. Mark the location of the bottom mounting hole and drill a 5/32" hole.
4. Install the bottom screw, allowing 1/8" (3 mm) to protrude from the wall.
5. Position the bottom hole of the control panel over the screw and slide down into place.
6. Lift the push bar up and mark the top hole.
7. Remove the control panel from the wall and drill a 5/32" hole for the top screw.
8. Position the bottom hole of the control panel over the screw and slide down into place. Attach the top screw.

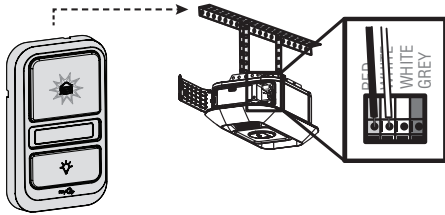


Control Panel (continued)

2 Wire the Control Panel to the Garage Door Opener

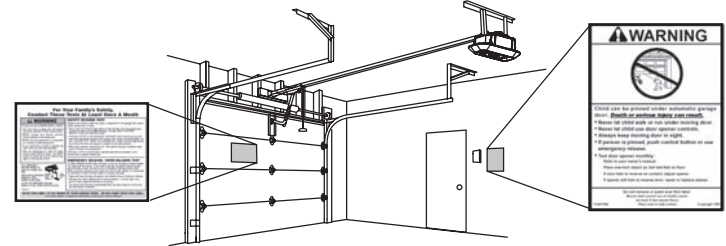
PRE-WIRED INSTALLATIONS: When wiring the control panel to the garage door opener make sure you use the same wires that are connected to the control panel.

1. Run the white and red/white wire from the control panel to the garage door opener. Attach the wire to the wall and ceiling with staples (not applicable for gang box or pre-wired installations). Do not pierce the wire with the staple as this may cause a short or an open circuit.
2. Strip 7/16" (11 mm) of insulation from the end of the wire near the garage door opener.
3. Connect the wire to the red and white terminals on the garage door opener. To insert or release wires from the terminal, push in the tab with screwdriver tip.



3 Attach the Warning Labels

1. Attach the entrapment warning label on the wall near the control panel with tacks or staples.
2. Attach the manual release/safety reverse test label in a visible location on the inside of the garage door.



Install the Protector System®

Introduction

WARNING

Be sure power is NOT connected to the garage door opener BEFORE installing the safety reversing sensor. To prevent SERIOUS INJURY or DEATH from closing garage door:

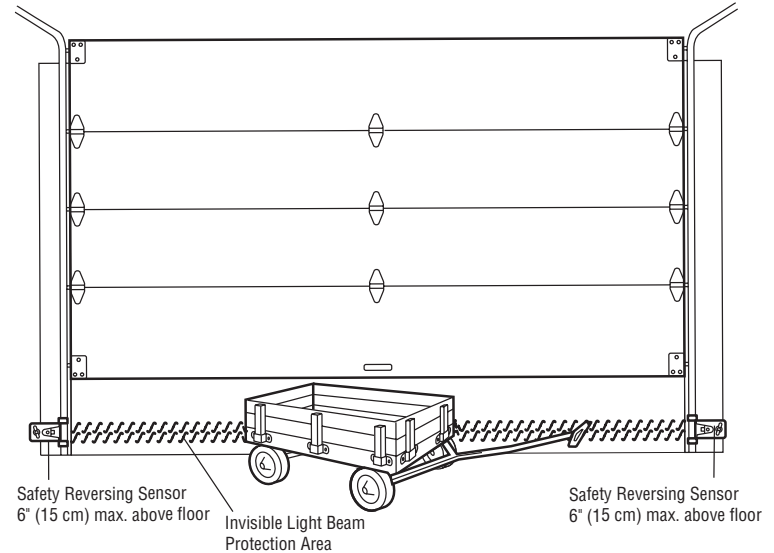
- Correctly connect and align the safety reversing sensor. This required safety device MUST NOT be disabled.
- Install the safety reversing sensor so beam is NO HIGHER than 6" (15 cm) above garage floor.

IMPORTANT: The safety reversing sensors MUST be connected and aligned correctly before the garage door opener will move in the down direction.

The Protector System® includes two safety reversing sensors which use a light beam to prevent the garage door from closing. The sending sensor (amber LED) transmits the beam to the receiving sensor (green LED) when both are powered and aligned. If an obstruction breaks the light beam while the door is closing, the receiving sensor (green LED) will flash, then the door will stop and reverse to the full open position.

When installing the safety reversing sensors, check:

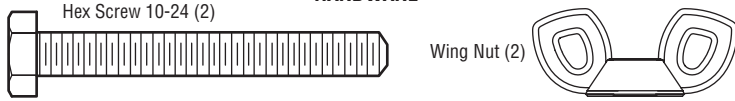
- Sensors are installed INSIDE the garage.
- Sensor lenses are facing each other and aligned in both a horizontal and vertical direction.
- **IMPORTANT: Do not allow direct sunlight to the receiving sensor (green LED).**
- The receiving sensor (green LED) has a label on the sensor to identify it as the receiving sensor before it is powered on.
- Sensor beam is NO HIGHER than 6" (15 cm) above the floor and the light beam is unobstructed.



Install the Protector System® (continued)

1 Install the Safety Reversing Sensors

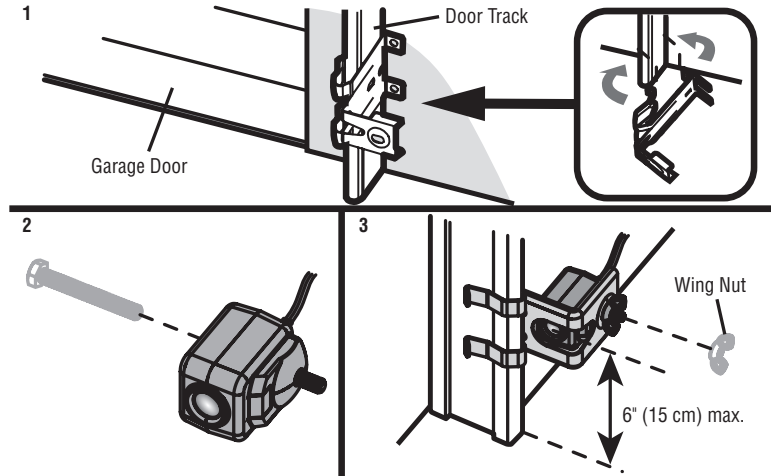
HARDWARE



The safety reversing sensors are designed to clip onto the door track with the provided sensor brackets. If the door track will not support the sensor bracket a wall installation is recommended. The sensor beam should be NO HIGHER than 6" (15 cm) above the floor.

DOOR TRACK INSTALLATION

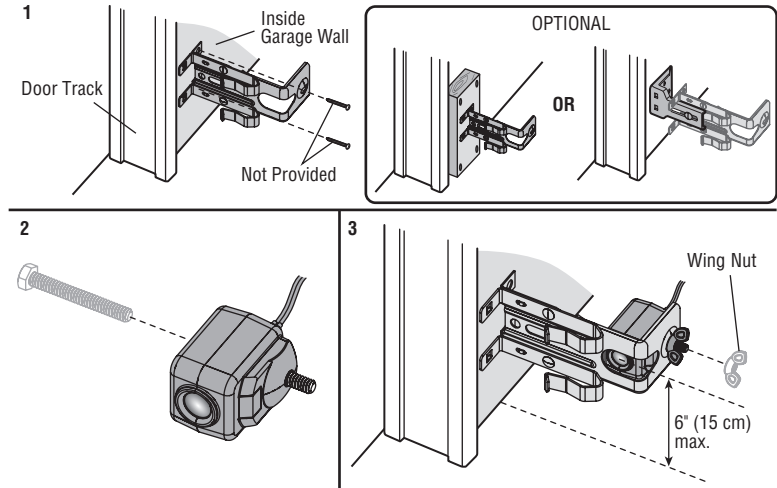
1. Slide the curved arms of the sensor bracket around the edge of the door track. Snap into place so that the sensor bracket is flush against the track.
2. Slide the hex screw through the sensor.
3. Attach the sensor to the bracket with the wing nut. Make sure the lens is not obstructed by the bracket. Repeat the steps with the other sensor on the opposite door track. Both lenses must face each other.



WALL INSTALLATION

Make sure the brackets on each side are clear of the door track and have the same amount of clearance so the sensors will align correctly. If additional clearance is needed, use extension brackets 041A5281-1 (not provided) or wood blocks.

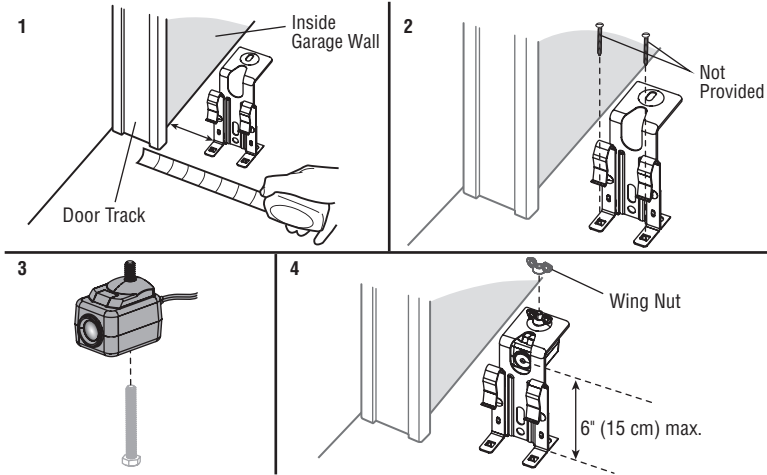
1. Attach the sensor bracket against the wall with two lag screws (not provided).
 2. Slide the hex screw through the sensor.
 3. Attach the sensor to the bracket with the wing nut. Make sure the lens is not obstructed by the bracket.
- Repeat the steps with the other sensor on the opposite side of the garage door. Both lenses must face each other.



Install the Protector System® (continued)

FLOOR INSTALLATION

1. Measure the position of both sensor brackets so they will be the same distance from the wall and unobstructed.
 2. Attach the bracket to the floor with concrete anchors (not provided).
 3. Slide the hex screw through the sensor.
 4. Attach the sensor to the bracket with the wing nut. Make sure the lens is not obstructed by the bracket.
- Repeat the steps with the other sensor on the opposite side of the garage door. Both lenses must face each other.

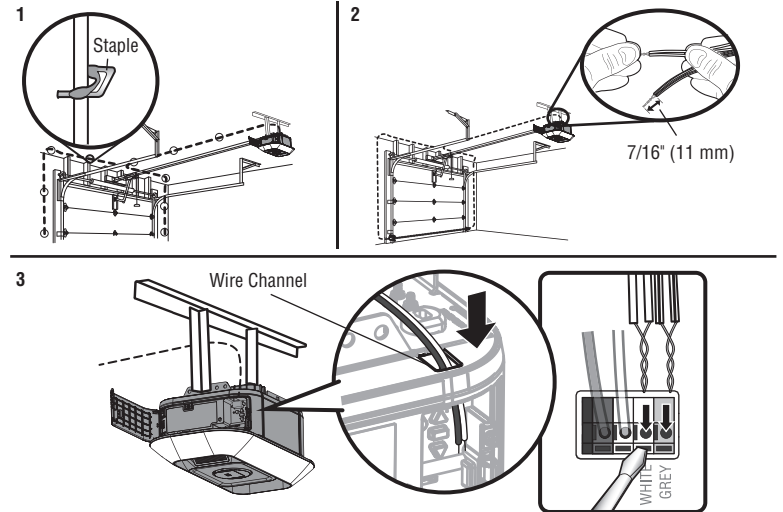


2 Wire the Safety Reversing Sensors

PRE-WIRED INSTALLATIONS: If your garage already has wires installed for the safety reversing sensors, see page 23.

OPTION A - INSTALLATION WITHOUT PRE-WIRING

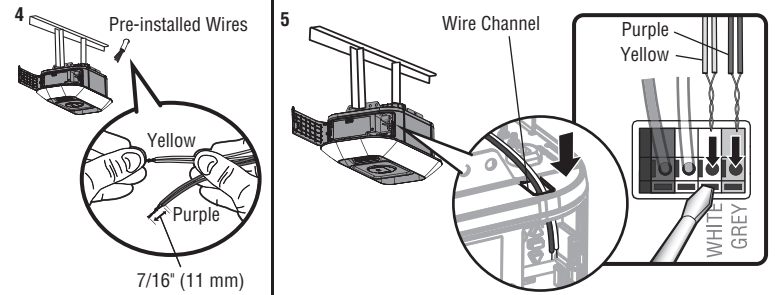
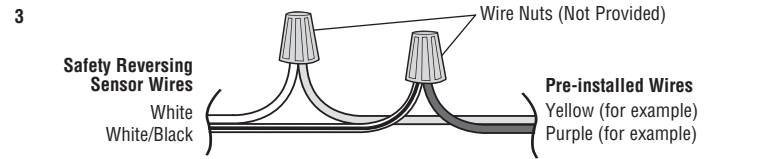
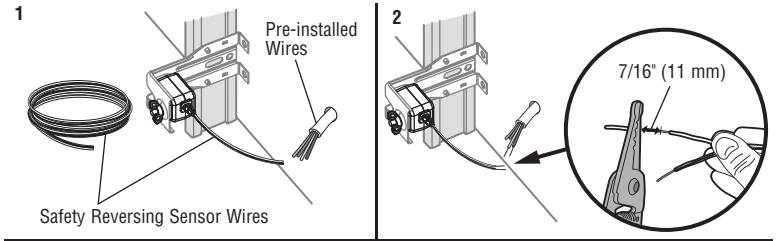
1. Run the wire from both sensors to the garage door opener. Attach with staples, but DO NOT puncture the wire.
2. Separate the sensor wires and strip insulation from each end. Twist the two white wires together. Then twist the two white/black wires together.
3. Using a screwdriver, push in the terminal tabs, and insert the white wires into the white terminal. Insert the white/black wires into the grey terminal.



Install the Protector System® (continued)

OPTION B - PRE-WIRED INSTALLATION

1. Cut the sensor wires, making sure there is enough wire to reach the pre-installed wires from the wall.
2. Separate the sensor wires and strip insulation from each end. Choose two of the pre-installed wires and strip insulation from each end. Choose the same color pre-installed wires for each sensor.
3. Connect the pre-installed wires to the sensor wires with wire nuts making sure the colors correspond for each sensor.
4. At the garage door opener, strip the end of the wires previously connected to the sensors. Twist the like-colored wires together.
5. Using a screwdriver, push in the terminal tabs, and insert the wire color connected to the sensor's white wire into the white terminal. Insert the other wire color connected to the sensor's white/black wire into the grey terminal.



Power

1 Connect Power



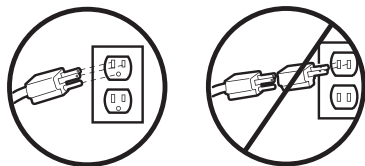
WARNING

To prevent possible SERIOUS INJURY or DEATH from electrocution or fire:

- Be sure power is NOT connected to the opener, and disconnect power to circuit BEFORE removing cover to establish permanent wiring connection.
- Garage door installation and wiring MUST be in compliance with ALL local electrical and building codes.
- NEVER use an extension cord, 2-wire adapter, or change plug in ANY way to make it fit outlet. Be sure the opener is grounded.

To avoid installation difficulties, do not activate the garage door opener at this time.

To reduce the risk of electric shock, your garage door opener has a grounding type plug with a third grounding pin. This plug will only fit into a grounding type outlet. If the plug doesn't fit into your outlet, contact a qualified electrician to install the proper outlet.

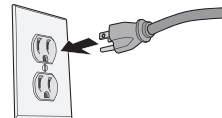


THERE ARE TWO OPTIONS FOR CONNECTING POWER:

OPTION A - TYPICAL WIRING

1. Plug the garage door opener into a grounded outlet.
2. DO NOT run garage door opener at this time.

TYPICAL WIRING

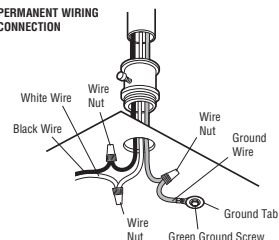


OPTION B - PERMANENT WIRING

If permanent wiring is required by your local code, refer to the following procedure. To make a permanent connection through the 7/8 inch hole in the top of the motor unit (according to local code):

1. Be sure power is NOT connected to the opener, and disconnect power to the circuit.
2. Remove the motor unit cover screws and set the cover aside.
3. Cut the power cord 6 inch (15.2 cm) from the top of the garage door opener.
4. Remove the strain relief.
5. Pull the power cord wires back into the garage door opener.
6. Install conduit or flex cable adapter in the 7/8 inch hole.
7. Run the permanent wires through the conduit in the 7/8 inch hole. Strip the insulation from the ends of all wires.
8. Connect the black (line) wire to the existing black wire; the white (neutral) wire to the existing white wire; and the ground wire to the existing green ground wire with wire nut. The opener must be grounded.
9. Properly secure the wires with plastic ties so that the wires do not come in contact with moving parts.

PERMANENT WIRING CONNECTION

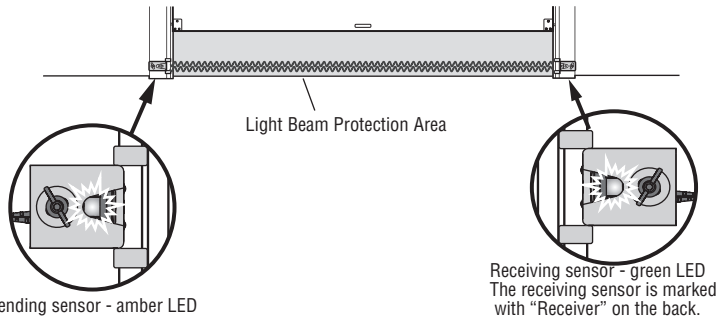


Power (continued)

2 Align the Safety Reversing Sensors

IMPORTANT: The safety reversing sensors **MUST** be connected and aligned correctly before the garage door opener will move in the down direction.

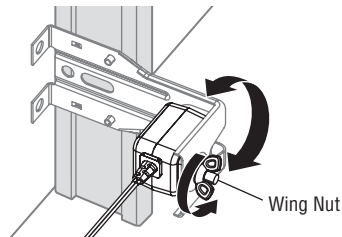
When the garage door opener has power, check the safety reversing sensors. If the sensors are aligned and wired correctly, both LEDs will glow steadily.



To align the safety reversing sensors:

1. Loosen the wing nuts.
2. Adjust the sensors up or down until both LEDs glow steady, indicating alignment.
3. Tighten the wing nut to secure the sensor.

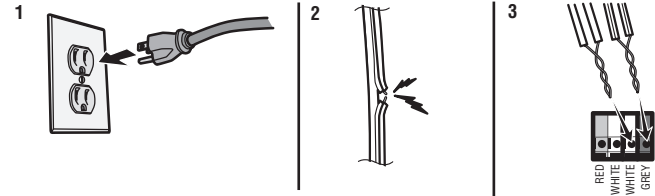
TIP: After tightening the wingnut, lightly wiggle the sensor brackets by hand without blocking the beam to ensure both LEDs remain glowing steady. If the receiving eye flashes while wiggling the brackets, adjust the sensor alignment until a solid LED glow is reached before proceeding.



SAFETY SENSOR TROUBLESHOOTING

If either of the sensor LEDs are off, there is no power to the sensor:

1. Check that you have power to the garage door opener.
2. Check the sensor wire is not shorted or broken.
3. Check that the sensors are wired correctly; white wires to white terminal and white/black wires to gray terminal.



If the green receiving sensor LED is blinking, the sensors are obstructed or misaligned:

1. Check for obstructions in the sensor light beam.
2. Align the sensors.
3. If the receiving sensor (green LED) faces direct sunlight, switch the receiving sensor with the sending sensor and repeat 1. Install the Safety Reversing Sensors on page 21 to assure proper operation.

3 Ensure the Control Panel is Wired Correctly

If the control panel has been installed and wired correctly, the command LED behind the push bar will illuminate or the LCD display will illuminate.

Adjustments

1 Program the Travel



WARNING

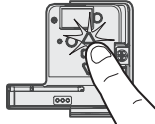
Without a properly installed safety reversal system, persons (particularly small children) could be **SERIOUSLY INJURED** or **KILLED** by a closing garage door.

- Incorrect adjustment of garage door travel limits will interfere with proper operation of safety reversal system.
- After ANY adjustments are made, the safety reversal system **MUST** be tested. Door **MUST** reverse on contact with 1-1/2" (3.8 cm) high object (or 2x4 laid flat) on floor.

While programming the travel, the UP and DOWN buttons can be used to move the door as needed. During the Automatic Force Setup, the door will automatically open and close.

Note: While programming the travel, the UP and DOWN buttons can be used to move the door as needed. During the Automatic Force Setup, the door will automatically open and close.

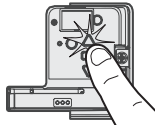
1. Press and hold the Adjustment button until the UP button begins to flash and/or a beep is heard.



2. Press and hold the UP button until the door is in the desired UP position.



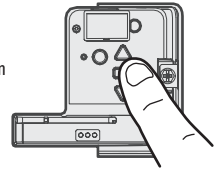
3. Once the door is in the desired UP position press and release the Adjustment button. The garage door opener lights will flash twice and the DOWN button will begin to flash.



4. Press and hold the DOWN button until the door is in the desired DOWN position.



5. Once the door is in the desired DOWN position press and release the Adjustment button. The garage door opener lights will flash twice. Program the Travel is now complete. If the garage door opener lights flash 5 times, then programming has timed out and the Travel Limits have not been set. Please restart the Program the Travel process.



2 Automatic Force Set Up

The opener will enter a force-sensing operation by automatically moving the door open and close. The garage door opener will sound an audible and visual alert before automatically opening and closing the door. The garage door opener will beep three times, confirming that the Automatic Force Setup completed successfully. Adjustment is complete.

If you hear one long beep after the door attempts to move, then the Automatic Force Set Up has not completed successfully. Please start over at step 1 of Program the Travel.



NOTE: If the travel/force setup process is not completed successfully any attempt to activate the opener from a remote/keyless entry or wall control will not work and the opener will flash the work lights 2 times.

Adjustments (continued)

3 Test the Safety Reversal System

WARNING

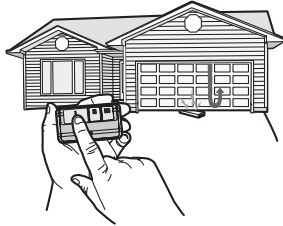
Without a properly installed safety reversal system, persons (particularly small children) could be **SERIOUSLY INJURED** or **KILLED** by a closing garage door.

- Safety reversal system **MUST** be tested every month.
- After **ANY** adjustments are made, the safety reversal system **MUST** be tested. Door **MUST** reverse on contact with 1-1/2" (3.8 cm) high object (or 2x4 laid flat) on the floor.

1. With the door fully open, place a 1-1/2" inch (3.8 cm) board (or a 2x4 laid flat) on the floor, centered under the garage door.



2. Press the remote control push button to close the door. The door **MUST** reverse when it makes contact with the board.



If the door stops but does not reverse:

1. Repeat Program the Travel (see Adjustment Step 1).

NOTE: Applying slightly more pressure to the door seal may allow the safety reversal systems to be set properly.

2. Repeat the Safety Reversal test.

If the test continues to fail, call a trained door systems technician.

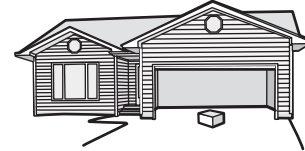
NOTE: It is normal for the trolley to slightly lift the rail with a properly set close limit. Ensuring the door is fully closed will provide the best opportunity for a successful Safety Reversal System test.

4 Test the Protector System®

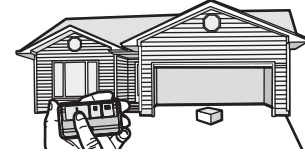
WARNING

Without a properly installed safety reversal system, persons (particularly small children) could be **SERIOUSLY INJURED** or **KILLED** by a closing garage door.

1. Open the door. Place an obstruction in the path of the door.



2. Press the remote control push button to close the door. The door will not move more than an inch (2.5 cm).



The garage door opener will not close from a remote control if the LED in either safety reversing sensor is off or flashing (alerting you to the fact that the sensor is misaligned or obstructed).

Battery Backup*

1 Install the Battery

WARNING

To reduce the risk of FIRE or INJURY to persons:

- Disconnect ALL electric and battery power BEFORE performing ANY service or maintenance.

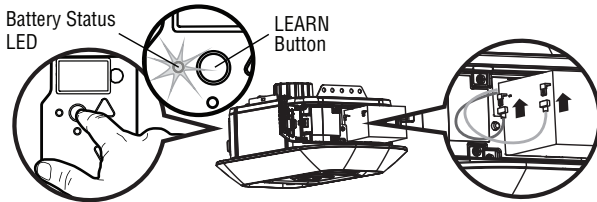
CAUTION

ALWAYS wear protective gloves and eye protection when changing the battery or working around the battery compartment.

The 12V battery backup allows access in and out of your garage, even when the power is out. The battery does not have to be fully charged to operate the garage door opener. When the garage door opener is operating on battery power, it may run slower, and the following features are disabled:

- Garage door opener lights
- myQ® App control and monitoring
- Unattended close including Timer-to-Close

1. Unplug the garage door opener.
2. Use a Phillips head screwdriver to remove the side panel on the garage door opener.
3. Partially insert the battery into the battery compartment with the terminals facing out.
4. Connect red (+) and black (-) wires from the garage door opener to the corresponding terminals on the battery.
5. Replace the battery cover.
6. Plug in the garage door opener.
7. Wait for the green Battery Status LED to start flashing before proceeding to test the battery.

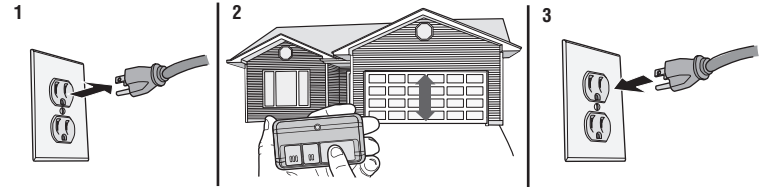


* If applicable.

2 Test the Battery

Depending on the power level, the battery may need to charge before performing the test. The garage door opener must be unplugged to test the battery.

1. Open and close the door using the remote control or door control. While the motor is on, the battery status LED will either glow solid orange indicating opener is operating on battery power or will flash indicating low battery power.
NOTE: The garage door opener may run slower if the battery is not fully charged.
2. Plug in the garage door opener. Verify the battery status LED is flashing green, indicating the battery is charging.



3 Charge the Battery

The battery charges when the garage door opener is plugged into a 120 Vac electrical outlet that has power and requires 24 hours to fully charge. A fully charged battery supplies 12 Vdc to the garage door opener for up to 24 hours of normal operation during an electrical power outage. After the electrical power has been restored, the battery will recharge within 24 hours. The battery will last approximately 1 to 2 years with normal usage.

Instructions for replacement are provided with the battery. To obtain maximum battery life and prevent damage, disconnect the battery when the garage door opener is unplugged for an extended period of time, such as a summer or winter home.

Battery Backup* (continued)

Battery Status LED

GREEN LED:

All systems are normal.

- A solid green LED light indicates the battery is fully charged.
- A flashing green LED indicates the battery is being charged.

ORANGE LED:

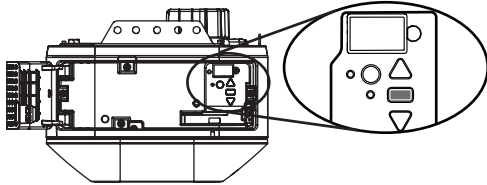
The garage door opener has lost power and is in battery backup mode.

- Solid orange LED while the motor is on indicates the garage door opener is operating on battery power.
- A flashing orange LED while the motor is on indicates the battery is low.
- The opener beeps every 2 seconds while operating on battery power.

RED LED:

The battery needs to be replaced.

- A solid red LED with beep indicates the battery will no longer hold a charge. Purchase a replacement battery to allow your system to operate during a power outage.



* If applicable.

Important Safety Instructions



To reduce the risk of SEVERE INJURY or DEATH:

1. READ AND FOLLOW ALL INSTALLATION WARNINGS AND INSTRUCTIONS.
2. ALWAYS keep remote controls out of reach of children. NEVER permit children to operate or play with garage control panel push buttons or remote controls.
3. ONLY activate garage door when it can be seen clearly, it is properly adjusted, and there are no obstructions to door travel.
4. ALWAYS keep garage door in sight and away from people and objects until completely closed. NO ONE SHOULD CROSS THE PATH OF THE MOVING DOOR.
5. NO ONE SHOULD GO UNDER A STOPPED, PARTIALLY OPENED DOOR.
6. If possible, use emergency release handle to disengage trolley ONLY when garage door is CLOSED. Use caution when using this release with the door open. Weak or broken springs or unbalanced door could result in an open door falling rapidly and/or unexpectedly and increasing the risk of SEVERE INJURY or DEATH.
7. NEVER use emergency release handle unless garage doorway is clear of persons and obstructions.
8. NEVER use handle to pull garage door open or closed. If rope knot becomes untied, you could fall.
9. After ANY adjustments are made, the safety reversal system MUST be tested.
10. Safety reversal system MUST be tested every month. Garage door MUST reverse on contact with 1-1/2" (3.8 cm) high object (or a 2x4 laid flat) on the floor. Failure to adjust the garage door opener properly increases the risk of SEVERE INJURY or DEATH.
11. ALWAYS KEEP GARAGE DOOR PROPERLY BALANCED (see page 4). An improperly balanced door may NOT reverse when required and could result in SEVERE INJURY or DEATH.
12. ALL repairs to cables, spring assemblies and other hardware, ALL of which are under EXTREME tension, MUST be made by a trained door systems technician.
13. To avoid interference with the proper operation of the garage door opener when using a welder in the garage, unplug garage door opener before operating welder.
14. This operator system is equipped with an unattended operation feature. The door could move unexpectedly. NO ONE SHOULD CROSS THE PATH OF THE MOVING DOOR.
15. DO NOT install on a one-piece door if using devices or features providing unattended close. Unattended devices and features are to be used ONLY with sectional doors.

16. SAVE THESE INSTRUCTIONS.

Operation (continued)

Features

Your garage door opener is equipped with features to provide you with greater control over your garage door operation.

ALERT2CLOSE

The Alert2Close feature provides a visual and an audible alert that an unattended door is closing.

TIMER-TO-CLOSE (TTC)*-DOWNLOAD THE MYQ APP TO USE THIS FEATURE

The TTC feature automatically closes the door after a specified time period that can be adjusted using a TTC enabled control panel (Models L958W or L957W). Prior to and during the door closing the garage door opener lights will flash and the garage door opener will beep.

MYQ APP (SEE PAGE 1 TO DOWNLOAD APP)

myQ® allows you to control and secure your garage door with your mobile device from anywhere. Connect your garage door opener to your Wi-Fi® network and access your myQ® account to get full control of your garage.

THE PROTECTOR SYSTEM® (SAFETY REVERSING SENSORS)

When properly connected and aligned, the safety reversing sensors will detect an obstruction in the path of the infrared beam. If an obstruction breaks the infrared beam while the door is closing, the door will stop and reverse to full open position. If the door is fully open, and the safety reversing sensors are not installed, or are misaligned, the door will not close from a remote control. However, you can close the door if you hold the button on the control panel or keyless entry until the door is fully closed. The safety reversing sensors do not affect the opening cycle. For more information see page 21.

LIGHTS

The garage door opener Integrated LED lights will turn on when the opener is initially plugged in; power is restored after interruption, or when the garage door opener is activated. The lights will turn off automatically after 4-1/2 minutes.

USING YOUR GARAGE DOOR OPENER

When the door is closed and the garage door opener is activated the door will open. If the door makes contact with an obstruction while opening, the door will stop, opener beeps and lights flash 5 times. When the door is in any position other than closed and the garage door opener is activated, the door will close. If the garage door makes contact with an obstruction while closing, the door will reverse, opener beeps and lights flash 5 times.

The safety reversing sensors do not affect the opening cycle. The safety reversing sensor must be connected and aligned correctly before the garage door opener will move in the down direction.

However, you can close the door if you hold the button on the control panel or keyless entry until the door is fully closed.

BATTERY BACKUP*

The battery backup system allows access in and out of your garage, even when the power is out. When the garage door opener is operating on battery power, the garage door opener will run slower, the light will not function, the Battery Status LED will glow solid orange, and a beep will sound approximately every 2 seconds.

CAMERA*

Live stream what is happening in your garage with your garage door opener's built-in camera. Just connect your opener to Wi-Fi and set up an account with the myQ® App. For more information, see page 32.

*If applicable.

Operation (continued)

Connect With Your Smartphone

YOU WILL NEED:

- Wi-Fi® enabled smartphone, tablet, or laptop
- Broadband Internet connection
- Wi-Fi® signal in the garage (2.4 GHz, 802.11b/g/n required), see page 4
- Password for your home network (router's main account, not guest network)
- myQ® serial number located on the garage door opener
-

DOWNLOAD THE myQ® APP TO SET UP AN ACCOUNT AND CONNECT

Open and close your door, get alerts, and set schedules from anywhere. Connected smart garage door openers also receive software updates to ensure the opener has the latest operational features. The garage door opener must run through a complete cycle before it will activate Wi-Fi® programming.

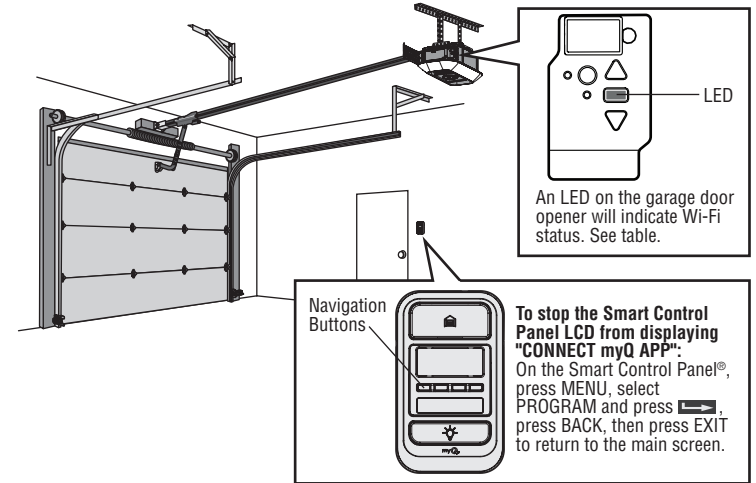
1. Download the myQ® App.
2. Set up an account and connect.

If you already have the myQ® App installed:

1. Check that your mobile device has the latest software.
2. Download the latest version of the myQ® App.



For more information on connecting your garage door opener, visit support.chamberlaingroup.com. Google Play and the Google Play logo are trademarks of Google LLC. App Store and the Apple and App Store logos are trademarks of Apple Inc.



Wi-Fi Status	
LED	Definition
Blue	Off - Wi-Fi® is not turned on. Blinking - Garage door opener is in Wi-Fi® learn mode. Solid - Mobile device connected to the garage door opener.
Blue and Green	Blinking - Attempting to connect to router.
Green	Blinking - Attempting to connect to the Internet server. Solid - Wi-Fi® has been set up and garage door opener is connected to the Internet.

NOTES:

myQ® App control WILL NOT work if the garage door opener is operating on battery power.
To erase the Wi-Fi settings, see page 36.

Operation (continued)

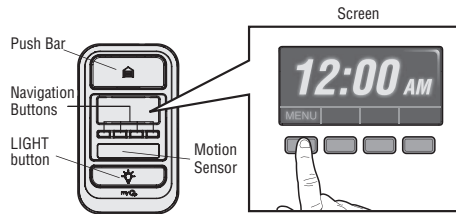
Using the Control Panel (Models 6690, 4690)

SYNCHRONIZE THE CONTROL PANEL

To synchronize the control panel to the garage door opener, press the push bar until the garage door opener activates (it may take up to 3 presses). Test the control panel by pressing the push bar, each press of the push bar will activate the garage door opener.

NOTE: Your control panel may look different than the illustrations.

Up to 2 Smart Control Panels® or 4 of any other Security+ 2.0 control panels can be connected to the garage door opener.



PUSH BAR

Press the push bar to open or close the door.

NAVIGATION BUTTONS

Use the navigation buttons to make selections and program features.

LIGHT BUTTON

Press the LIGHT button to turn the garage door opener lights on or off. When the lights are turned on, they will stay on for up to 3 hours unless one of the following occurs: the light button is pressed again to turn it off, or the garage door opener is activated to open or close the door. In the case of door operation, the light will turn off after the selected timer duration has elapsed (the factory setting is 4-1/2 minutes).

SCREEN*

The screen will display the time and temperature until the menu button is pressed, and then it will display the menu options. If there is a problem with the garage door opener the screen will display the Diagnostic Code. Refer to the Troubleshooting section.

LEARN A DEVICE

Program compatible remote controls, wireless keyless entries, Wi-Fi garage door openers, or myQ® accessories to the garage door opener.

LOCK

The LOCK feature is designed to prevent activation of the garage door opener from remote controls while still allowing activation from the control panel and keyless entry. This feature is useful for added peace of mind when the home is empty (i.e. vacation).

TIMER-TO-CLOSE (TTC)* – DOWNLOAD MYQ

DO NOT enable TTC if operating a one-piece door. TTC is to be used ONLY with sectional doors. Factory default is set to off. TTC can be set to automatically close your garage door from the fully open position after a specified period of time (1, 5, 10 minute intervals or a custom setting up to 99 minutes). The garage door opener will **Beep** and the lights will **Flash** before closing the door. The screen on the control panel can display the status of the TTC. TTC WILL NOT work if the garage door opener is operating by battery power or if the safety reversing sensors are misaligned. This feature is NOT intended to be the primary method of closing the door. **A keyless entry should be installed in the event of an accidental lock out when using this feature.**

AUTOMATIC LIGHT

Motion Sensor *

Factory default is set to on. This feature automatically turns on the garage door opener lights when motion is sensed. The lights will come on for the set period of time, then shut off. If using the garage door opener light as a work light disable the motion sensor, otherwise the light will turn off automatically if you are beyond the range of the sensor.

MAINTENANCE ALERT (MAS)

This feature assists the homeowner in ensuring the garage door opener system stays in good working condition. When the garage door opener needs to be serviced (approximately 4500 garage door opener cycles) the command (yellow) and service (red) LEDs will begin to alternately flash back and forth. The factory setting for the MAS feature is off and can be activated at time of installation. Contact your installing dealer for service.

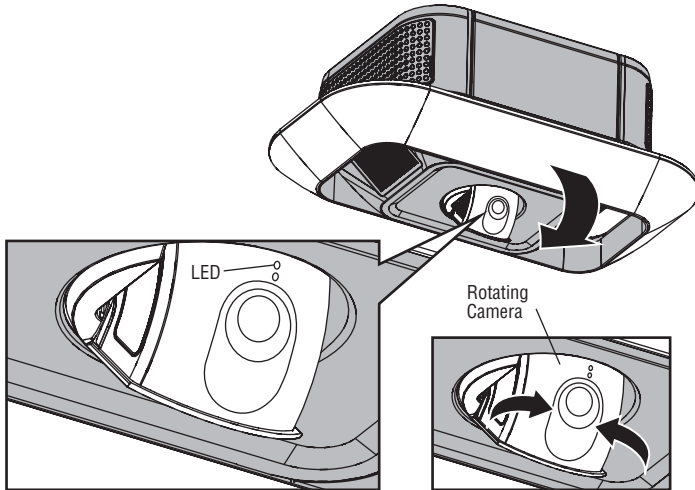
*If applicable

Operation (continued)

Set Up the Camera - Models 6690, 6580, 4690

1. Download the myQ® app and setup your account if you haven't already, see page 32.
2. Follow the instructions in the app to setup and use the camera.

The camera powers up when it is opened and powers down when closed.



Camera Status	
LED	Definition
Flashing Blue	Camera is attempting to connect to the mobile device.
Solid Blue	Camera is connected to the mobile device.
Flashing Blue and Green	Camera is attempting to connect to the router.
Flashing Green	Camera is connected to the router and attempting to connect to myQ® server.
Solid Green	Camera is connected and working normally.
Solid White	Camera is powering up.
Flashing Red	Camera is overheating
Flashing Purple	Camera firmware is updating.

Operation (continued)

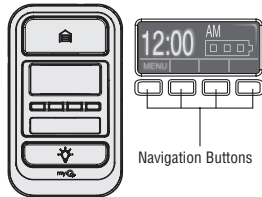
Using the Smart Control Panel®*

SETUP

The features on the control panel can be programmed through a series of menus on the screen and the navigation buttons. Refer to the descriptions below.

SCREEN

The main screen displays the time, temperature, and current battery charge (if applicable).



FEATURES

Press the navigation button below "MENU" to view the Features menu.

The screenshot shows the Features menu with the following options: CLOCK SETUP, TTC OFF, LOCK DISABLED, PROGRAM, and EXIT. Below the menu are four navigation buttons. Callouts provide instructions for each option:

- CLOCK SETUP:** Set the time, choose 12 or 24 hour clock and show/hide clock.
- TTC OFF:** For sectional doors ONLY. Set the Timer-to-Close feature off/on and set the time interval before door closes. **NOTE: DO NOT enable TTC if operating a one-piece door. TTC is to be used ONLY with sectional doors.**
- LOCK DISABLED:** Enable/disable lock.
- PROGRAM:** Set up Wi-Fi*, add remote controls, myQ® devices, an extra remote button to control your garage door opener lights, or a keyless entry.

* The garage door opener must run through a complete cycle before it will activate Wi-Fi® programming.

SETTINGS

Press the navigation button below the down arrow till you see TEMPERATURE to view the Settings menu.

The screenshot shows the Settings menu with the following options: TEMPERATURE, LANGUAGE ENGLISH, LIGHT SETTINGS, CONTRAST ADJUST 50, and EXIT. Below the menu are four navigation buttons. Callouts provide instructions for each option:

- TEMPERATURE:** Display the temperature in Fahrenheit or Celsius and show/hide the temperature.
- LANGUAGE ENGLISH:** Select a language.
- LIGHT SETTINGS:** Set duration for garage door opener light to stay on after operation, selectable range of 1-1/2 to 4-1/2 minutes. Turn the Motion sensor off/on, and turn the entry light feature off/on.
- CONTRAST ADJUST 50:** Adjust the contrast of the screen.

SERVICE

Press and hold the LIGHT button, then press the second navigation button to view the Service menu.

The screenshot shows the Service menu with the following options: SOFTWARE REVISION, CYCLE COUNT, TRANSMITTERS, DISPLAY ERROR, and EXIT. Below the menu are four navigation buttons. Callouts provide instructions for each option:

- SOFTWARE REVISION:** Displays software version information.
- CYCLE COUNT:** Turn the Maintenance Alert (MAS) on/off.
- TRANSMITTERS:** Displays the number of remote controls, myQ® devices, control panels, and keyless entries currently programmed to operate the garage door opener.
- DISPLAY ERROR:** Displays any errors that have occurred.

Remote Control

Your remote control has been programmed at the factory to operate with your garage door opener.

TO ADD, REPROGRAM, OR CHANGE A REMOTE CONTROL/KEYLESS ENTRY PIN USING THE CONTROL PANEL

1. Press the navigation button below "MENU" to view the Features menu.
2. Use the navigation buttons to scroll to "PROGRAM".
3. Select "REMOTE" or "KEYPAD" to program from the program menu.
4. **Remote Control:** Press the button on the remote control that you wish to operate your garage door. **Keyless Entry:** Enter a 4 to 8 digit personal identification number (PIN) of your choice on the keyless entry keypad. Then press the HOME button.

The garage door opener lights will flash (or two clicks will be heard) when the code has been programmed. Repeat the steps above for programming additional remote controls or keyless entry devices. If programming is unsuccessful, program the remote using the learn button.

The diagram shows four steps for programming:

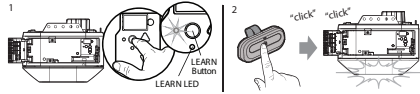
1. Press the navigation button below "MENU" to view the Features menu.
2. Press the right arrow to continue. The screen shows "PROGRAM".
3. Press the right arrow to continue. The screen shows "REMOTE MYO DEVICE LIGHT TO REMOTE KEYPAD".
4. Press the button on the remote control (or the keyless entry keypad) to program the device. The keypad shows "PIN" with four question marks.

Operation (continued)

PROGRAM USING THE GARAGE DOOR OPENER LEARN BUTTON

1. Locate the LEARN button.
2. Press and immediately release the LEARN button. The LEARN LED will glow steady for 30 seconds.
3. Remote Control: Press and hold the button the remote control that you wish to use. Keyless Entry: Enter a 4 to 8 digit personal identification number (PIN) of your choice on the keyless entry keypad. Then press and hold the HOME button.

Release the button when the garage door opener lights blink or two clicks are heard.



TO ADD A REMOTE CONTROL OR KEYLESS ENTRY USING THE MOTION DETECTION CONTROL PANEL

1. Lift the push bar. Press the LEARN button twice (after the second press, the LED on the door control panel will pulse repeatedly).
- 2a. Within 30 seconds, press and hold the button on the remote control that you wish to use. Release the button when the garage door opener lights flash and/or two clicks are heard.
- 2b. Within 30 seconds, enter a 4–8 digit personal identification number (PIN) of your choice. Press and hold the HOME button until the garage door opener lights flash and/or two clicks are heard.

TEST FOR SUCCESS: To open the garage door opener, press the remote button you programmed. The garage door should activate. If it does not, repeat the programming steps. Alternatively, with the garage door closed, enter the PIN you programmed, and press the HOME button. The garage door will then open. If it does not open, repeat the programming steps.

To Erase the Memory

ERASE ALL REMOTE CONTROLS AND KEYLESS ENTRIES

1. Press and hold the LEARN button on garage door opener until the learn LED goes out (approximately 6 seconds). All remote control and keyless entry codes are now erased. Reprogram any accessory you wish to use.

ERASE ALL DEVICES INCLUDING myQ® ENABLED ACCESSORIES

1. Press and hold the LEARN button on garage door opener until the learn LED goes out (approximately 6 seconds).
2. Immediately press and hold the LEARN button again until the learn LED goes out. All codes are now erased. Reprogram any accessory you wish to use.

ERASE THE CONNECTION FROM GARAGE DOOR OPENER TO HOME Wi-Fi® NETWORK

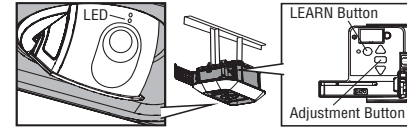
1. Press and hold the black adjustment button on the garage door opener until 3 beeps are heard (approx. 6 seconds).



ERASE THE CAMERA SETTINGS

1. Press and hold black adjustment button on the garage door opener until 3 beeps are heard (approximately 6 seconds). The LED light will turn off, then flash red.

You will need to setup both the garage door opener and camera again after resetting it.



To Open the Door Manually

WARNING

To prevent possible **SERIOUS INJURY** or **DEATH** from a falling garage door:

- If possible, use emergency release handle to disengage trolley **ONLY** when garage door is **CLOSED**. Weak or broken springs or unbalanced door could result in an open door falling rapidly and/or unexpectedly.
- **NEVER** use emergency release handle unless garage doorway is clear of persons and obstructions.
- **NEVER** use handle to pull door open or closed. If rope knot becomes untied, you could fall.

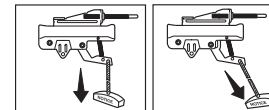
DISCONNECT THE TROLLEY

1. The door should be fully closed if possible.
2. Pull down on the emergency release handle.

RECONNECT THE TROLLEY

The lockout feature prevents the trolley from reconnecting automatically.

1. Pull the emergency release handle down and back (toward the opener). The door can then be raised and lowered manually as often as necessary.
2. To disengage the lockout feature, pull the handle straight down. The trolley will reconnect on the next UP or DOWN operation, either manually or by using the control panel or remote control.



Maintenance

Maintenance Schedule

EVERY MONTH

- Manually operate door. If it is unbalanced or binding, call a trained door systems technician.
- Check to be sure door opens and closes fully. Adjust if necessary, see page 26.
- Test the safety reversal system. Adjust if necessary, see page 27.

EVERY YEAR

- Oil door rollers, bearings and hinges. The garage door opener does not require additional lubrication. Do not grease the door tracks.
- Test the battery and consider replacing the battery to ensure the garage door opener will operate during an electrical power outage, see page 28 to test the battery backup.

EVERY TWO TO THREE YEARS

- Use a rag to wipe away the existing grease from the garage door opener rail. Reapply a small layer of white lithium grease to the top and underside of the rail surface where the trolley slides.

NOTICE: This device complies with part 15 of the FCC rules and Innovation, Science and Economic Development Canada license exempt RSSs. Operation is subject to the following two conditions: (1) this device may not cause harmful interference, and (2) this device must accept any interference received, including interference that may cause undesired operation. Any changes or modifications not expressly approved by the party responsible for compliance could void the user's authority to operate the equipment.

This device has been tested and found to comply with the limits for a Class B digital device, pursuant to part 15 of the FCC rules and Industry Canada ICES standard. These limits are designed to provide reasonable protection against harmful interference in a residential installation. This equipment generates, uses and can radiate radio frequency energy and, if not installed and used in accordance with the instructions, may cause harmful interference to radio communications. However, there is no guarantee that interference will not occur in a particular installation. If this equipment does cause harmful interference to radio or television reception, which can be determined by turning the equipment off and on, the user is encouraged to try to correct the interference by one or more of the following measures:

- Reorient or relocate the receiving antenna.
- Increase the separation between the equipment and receiver.
- Connect the equipment into an outlet on a circuit different from that to which the receiver is connected.
- Consult the dealer or an experienced radio/TV technician for help..

The Remote Control Battery

WARNING

To prevent possible **SERIOUS INJURY** or **DEATH**:

- NEVER allow small children near batteries.
- If battery is swallowed, immediately notify doctor.

To reduce risk of fire, explosion or chemical burn:

- Replace **ONLY** with 3V CR2032 coin batteries.
- **DO NOT** recharge, disassemble, heat above 212°F (100°C) or incinerate..

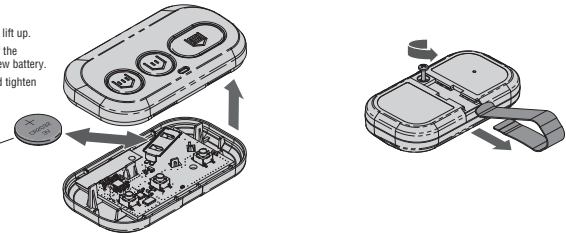
Unscrew captive screw.

Pry open top housing and lift up.

Remove old battery out of the holder and replace with new battery.

Re-attach top housing and tighten captive screw.

Replace with only 3V CR2032 coin cell battery.



Troubleshooting

Diagnostic Chart

Your garage door opener is programmed with self-diagnostic capabilities. The UP and DOWN arrows on the garage door opener flash the diagnostic codes.

Diagnostic Code		Symptom	Solution
Up Arrow Flash (es)	Down Arrow Flash (es)		
1	1	The garage door opener will not close.	Safety reversing sensors are not installed, connected, or wires may be cut. Inspect sensor wires for a disconnected or cut wire.
1	2	The garage door opener will not close.	There is a short or reversed wire for the safety reversing sensors. Inspect safety sensor wire at all staple and connection points, replace wire or correct as needed.
1	3	The control panel will not function.	The wires for the control panel are shorted or the control panel is faulty. Inspect control panel wires at all staple and connection points, replace wire or correct as needed.
1	4	The garage door opener will not close.	Safety reversing sensors are misaligned or were momentarily obstructed. Realign both sensors until both LEDs are glowing steady. Make sure nothing is hanging or mounted on the door that would interrupt the sensor's path while closing.
1	5	Door moves 6-8" (15-20 cm) stops or reverses.	Manually open and close the door. Check for binding or obstructions, such as a broken spring or door lock, correct as needed. Check wiring connections at travel module and at the logic board. Replace travel module if necessary.
		No movement, only a single click.	Manually open and close the door. Check for binding or obstructions, such as a broken spring or door lock, correct as needed. Replace logic board if necessary.
		Opener hums for 1-2 seconds no movement.	Manually open and close the door. Check for binding or obstructions, such as a broken spring or door lock, correct as needed. Replace motor if necessary.
2	1-5	No movement, or sound.	Replace logic board.
3	2	Unable to set the travel or retain position.	Check travel module for proper assembly, replace if necessary.
3	3	The battery status LED is constantly flashing green.	Battery backup charging circuit error, replace the logic board.
4	1-4	Door is moving, stops or reverses. Opener beeps and lights flash.	Manually open and close the door. Check for binding or obstructions, such as a broken spring or door lock, correct as needed. If the door is binding or sticking, contact a trained door systems technician. If door is not binding or sticking attempt to reprogram travel (refer to 26).
4	5	Opener runs approximately 6-8" (15-20 cm), stops and reverses.	Communication error to travel module. Check travel module connections, replace travel module if necessary.
4	6	The garage door opener will not close.	Safety reversing sensors are misaligned or were momentarily obstructed. Realign both sensors to ensure both LEDs are steady and not flickering. Make sure nothing is hanging or mounted on the door that would interrupt the sensor's path while closing.

Troubleshooting (continued)

THE GARAGE DOOR OPENER WILL NOT ENTER WI-FI® LEARN MODE:

- After the initial installation of the garage door opener, the garage door opener must complete a full cycle (open and closed) before the Wi-Fi® learn mode can be activated.
- If there has been a recent power outage, the garage door opener must complete a full cycle before the Wi-Fi® LEARN MODE can be activated.

CANNOT CONNECT GARAGE DOOR OPENER TO HOME WI-FI® NETWORK:

- Ensure the myQ® Serial number was entered correctly and try again. The myQ® characters are between AF and 0-9 only.
- Weak Wi-Fi® signal in the garage. Ensure the Wi-Fi® signal is reaching the garage, or visit support.chamberlaingroup.com for more information.

MY DOOR WILL NOT CLOSE AND THE WORK LIGHTS FLASH 10 TIMES:

- The safety reversing sensor must be connected and aligned correctly before the garage door opener will move in the down direction.
 - Verify the safety reversing sensors are properly installed, aligned and free of any obstructions.
 - If the receiving sensor (green LED) faces direct sunlight, switch the receiving sensor with the sending sensor so the receiving sensor is not in direct sunlight.

LEDS ARE NOT WORKING:

Check wiring on both Integrated LED Light Modules to connector. If loose, then reconnect. If the lights do not turn on, a new Integrated LED Light Module may be needed. Visit support page or certified door professional to determine if a new Integrated LED Light Module is needed.

MY NEIGHBOR'S REMOTE CONTROL OPENS MY GARAGE DOOR:

Erase the memory from your garage door opener and reprogram the remote control(s).

MY VEHICLE'S HOMELINK® IS NOT PROGRAMMING TO MY GARAGE DOOR OPENER:

This opener is compatible with HomeLink versions 4, 5 and 6. HomeLink programming and support can be obtained by contacting HomeLink directly at 1-800-355-3515 or by visiting their website at www.HomeLink.com.

MY CAMERA WON'T CONNECT TO THE ROUTER:

- Move your router closer to the garage door opener to minimize interference from walls and other objects.
- Buy a Wi-Fi® range extender.

For issues with the camera, press and hold the reset button on the camera for 10 seconds. Then, follow the myQ® app instructions to set up the camera.

Accessories

L979M

MAX Wireless Keyless Entry:

For use outside of the home to enable access to the garage using a 4-digit PIN. Works with ALL LiftMaster openers from 1997-present. Download the myQ app for more information.



L993M

3-Button MAX Remote Control:

Compatible with LiftMaster garage door openers manufactured since 1997. Includes visor clip.



L958W

Smart Control Panel:

Displays temperature, time and system diagnostics; includes a push bar to open and close the door and a lock feature for extra security. Security+ 3.0 and Wi-Fi compatible.



L957W

Motion Detecting Control Panel:

Multi-function control panel with motion sensor that automatically turns opener lights on when it detects a person entering the garage. Security+ 3.0 and Wi-Fi compatible.



L991S

1-Button STD Remote Control:

Compatible with Security+ 3.0 devices.



L956W

Multi-Function Control Panel:

Compatible with Security+ 3.0 openers.



L992U

Universal Remote Control:

The Universal Remote Control can be programmed to activate up to two products, such as a garage door opener, gate operator, or commercial door operator. Compatible with LiftMaster garage door openers manufactured since 1997. Includes visor clip.



Warranty

LiftMaster® (“Seller”) warrants to the first retail purchaser of this product, for the residence in which this product is originally installed, that it is free from defects in materials and/or workmanship for a specific period of time as defined below (the “Warranty Period”). The warranty period commences from the date of purchase

Warranty Period							
Models	Parts	Motor	Accessories	Belt	Battery Backup	Integrated LED	Camera
6580	1 year	6 years	1 year	6 years	1 year	1 year	1 year
4690	5 years	Lifetime	1 year	Lifetime	1 year	5 years	1 year
6690	5 years	Lifetime	1 year	Lifetime	1 year	5 years	1 year

The proper operation of this product is dependent on your compliance with the instructions regarding installation, operation, and maintenance and testing. Failure to comply strictly with those instructions will void this limited warranty in its entirety.

ALL IMPLIED WARRANTIES FOR THE PRODUCT, INCLUDING BUT NOT LIMITED TO ANY IMPLIED WARRANTIES OF MERCHANTABILITY AND FITNESS FOR A PARTICULAR PURPOSE, ARE LIMITED IN DURATION TO THE APPLICABLE LIMITED WARRANTY PERIOD SET FORTH ABOVE FOR THE RELATED COMPONENT(S), AND NO IMPLIED WARRANTIES WILL EXIST OR APPLY AFTER SUCH PERIOD. Some states and provinces do not allow limitations on how long an implied warranty lasts, so the above limitation may not apply to you. THIS LIMITED WARRANTY DOES NOT COVER NON-DEFECT DAMAGE, DAMAGE CAUSED BY IMPROPER INSTALLATION, OPERATION OR CARE (INCLUDING, BUT NOT LIMITED TO ABUSE, MISUSE, FAILURE TO PROVIDE REASONABLE AND NECESSARY MAINTENANCE, UNAUTHORIZED REPAIRS OR ANY ALTERATIONS TO THIS PRODUCT), LABOR CHARGES FOR REINSTALLING A REPAIRED OR REPLACED UNIT, REPLACEMENT OF CONSUMABLE ITEMS (E.G., BATTERIES IN REMOTE CONTROL TRANSMITTERS), OR UNITS INSTALLED FOR NONRESIDENTIAL USE. THIS LIMITED WARRANTY DOES NOT COVER ANY PROBLEMS WITH, OR RELATING TO, THE GARAGE DOOR OR GARAGE DOOR HARDWARE, INCLUDING BUT NOT LIMITED TO THE DOOR SPRINGS, DOOR ROLLERS, DOOR ALIGNMENT OR HINGES. THIS LIMITED WARRANTY ALSO DOES NOT COVER ANY PROBLEMS CAUSED BY INTERFERENCE. UNDER NO CIRCUMSTANCES SHALL SELLER BE LIABLE FOR CONSEQUENTIAL, INCIDENTAL OR SPECIAL DAMAGES ARISING IN CONNECTION WITH USE, OR INABILITY TO USE, THIS PRODUCT. IN NO EVENT SHALL SELLER'S LIABILITY FOR BREACH OF WARRANTY, BREACH OF CONTRACT, NEGLIGENCE OR STRICT LIABILITY EXCEED THE COST OF THE PRODUCT COVERED HEREBY. NO PERSON IS AUTHORIZED TO ASSUME FOR US ANY OTHER LIABILITY IN CONNECTION WITH THE SALE OF THIS PRODUCT.

Some states and provinces do not allow the exclusion or limitation of consequential, incidental or special damages, so the above limitation or exclusion may not apply to you. This limited warranty gives you specific legal rights, and you may also have other rights, which vary from state to state and province to province.

Automatic Garage Door Opener Safety & Maintenance Guide

Garage Door Opener Safety – An Automatic Decision

A garage door is the largest moving object in the home. An improperly adjusted garage door and opener can exert deadly force when the door closes – which could lead to entrapment of children or adults and subsequent injury or death.

Proper installation, operation, maintenance, and testing of the garage door and automatic opener are necessary to provide a safe, trouble-free system. Careless operation or allowing children to play with or use garage door opener controls are also dangerous situations that can lead to tragic results. A few simple precautions can protect your family and friends from potential harm. Please review the safety and maintenance tips in this guide carefully and keep it for reference. Check the operation of your garage door and opener to ensure they function in a safe and trouble-free manner. Be sure to read all Important Safety Information found in your garage door opener's manual as it provides more details and safety considerations than can be supplied with this guide.

Garage Door Openers are Not Toys

Discuss garage door and opener safety with your children. Explain the danger of being trapped under the door.



Stay away from a moving door.



The wall-mounted push button should be out of reach of children, at least 5 feet from the nearest standing surface and away from all moving parts. Mount and use the button where you can clearly see the closing garage door.



Keep transmitters and remote controls out of reach of children. Do not let children play with or use transmitters or other remote control devices.



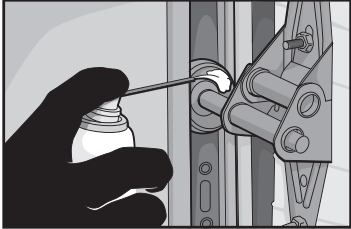
Keep the door in sight until it completely closes when using the wall-mounted push button or transmitter.

Routine Maintenance Can Prevent Tragedies

Make monthly inspection and testing of your garage door and opener system a part of your regular routine. Review your owner's manual for both the door and door opener. If you don't have the owner's manuals, contact the manufacturer(s) and request a copy for your specific model(s). Look for the opener model number on the back of the power unit.

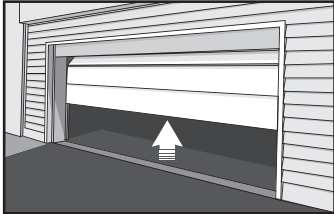
WARNING

Springs are under high tension. Do not loosen or adjust any bottom brackets, red colored fasteners, cables, or supports. Only trained door system technicians should adjust these components.



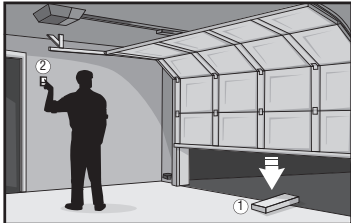
Visually check the door and installation:

- Starting with the door in the closed position, use the manual disconnect on the opener to disconnect the door.
- Look for signs of wear or damage on hinges, rollers, springs, and door panels.
- These parts may require periodic lubrication. Check the owner's manual for suggested maintenance.
- If any signs of damage are evident, contact a trained door systems technician for assistance.
- Verify the photoeye height is no higher than 6" from the garage floor.



Test the door for proper operation:

- Open and close the door manually using handles or suitable gripping points.
- The door should move freely and without difficulty.
- **The door should balance and stay partially open 3–4 feet above the floor.**
- If you detect any signs of improper operation, contact a trained door systems technician for assistance.



Test the opener safety features:

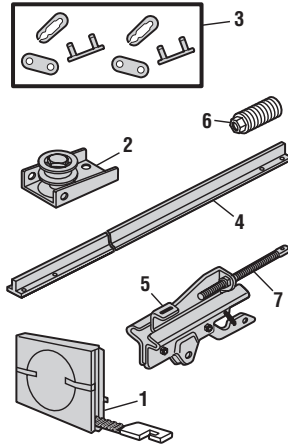
- Reconnect the opener to the door using the manual disconnect and open the door.
- Place a 2x4 board flat in the path of the door (1) and try to close it (2). The door should stop when it comes in contact with the 2x4 and then reverse direction.
- Block the photoelectric sensor by waving an object in front of the sensor and attempt to close the door. The door should not close unless the wall-mounted push button is manually held during operation.
- If the opener does not perform as described, contact a trained door systems technician for assistance.



Repair Parts

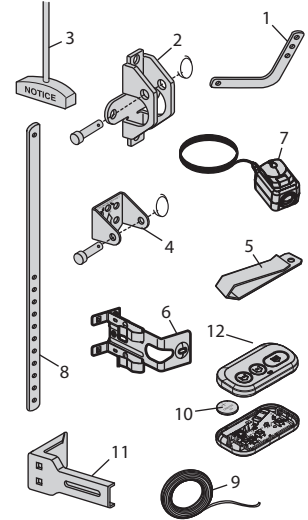
Rail Assembly Parts 6690

Description		Part Number
1	Belt - for 7 foot door Belt - for 8 foot door Belt - for 10 foot door	041A5434-11A 041A5434-13A 041A5434-14A
2	Belt Pulley Bracket	041B5424
3	Master link	004A1008
4	One-Piece Rail 7 feet (2.1 m) One-Piece Rail 8 feet (2.4 m) One-Piece Rail 10 feet (3 m)	2777BD 2778BD 2770BD
5	Trolley Assembly Includes: Master Link (2), Clevis Pin (1), Ring (1), Belt Clip (1), Threaded Shaft (1), and Tensioner Assembly (1)	041B3869-3A
6	Belt Tensioner Kit	041B4103
7	Trolley Threaded Shaft	041A6689



Installation Parts

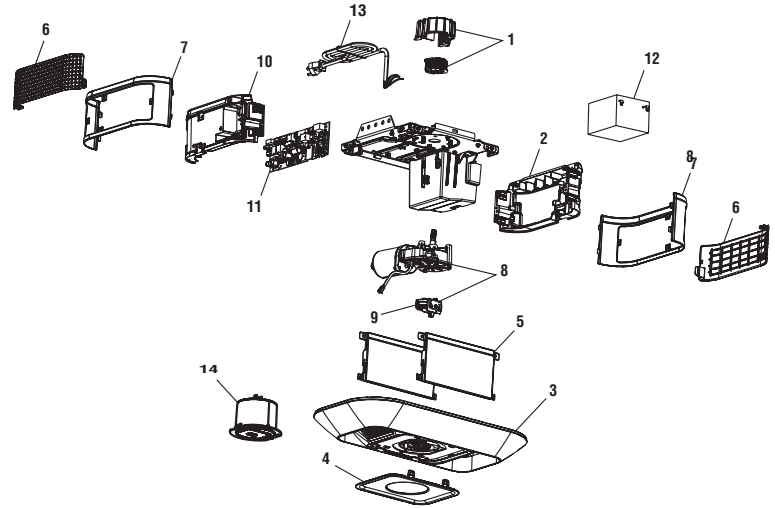
Description		Part Number
1	Curved door arm	041B0035B
2	Door bracket with clevis pin and fastener	041A5047-1
3	Emergency release rope and handle	041A2828
4	Header bracket with clevis pin and fastener	041A4353-1
5	Remote control visor clip	
6	Safety sensor bracket	041-0136-000
7	Safety sensor kit with receiving and sending sensors with 3 feet (.9 m) 2- conductor wire	041-0136
8	Straight door arm	4178B0034B
9	White and red/white wire	041B4494-1
10	3V CR2032 lithium battery	K010A0020
11	Extension bracket (optional)	041A5281-1
Not Shown		
Installation hardware bag		041A2770-17
User's Guide		
Owner's Manual		



Repair Parts (continued)

Garage Door Opener Parts Model 6690

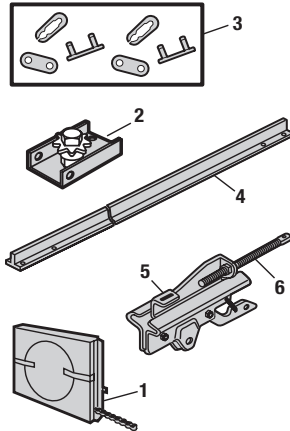
	Description	Part Number
1	Belt Cap Retainer Kit	041C1751
2	End panel	041-0185-000
3	Integrated LED Light Module	041-0502-000
4	Badge with camera	041-0501-000
5	Main Enclosure Cover	041-0190-000
6	Control door panel	041-0192-000
7	End panel cover	041-0193-000
8	Motor with travel module	041-0236-000
9	Travel Module	041D8071-4
10	Logic board end panel	041-0503-000
11	Logic board	030DCT
12	Backup battery	485LM
13	Line cord	041-0505-000
14	Camera	041-0506-000
	Not Shown	
	Wire harness	041-0507-000
	Camera wire harness	041-0508-000
	Transformer	041-0509-000



Repair Parts (continued)

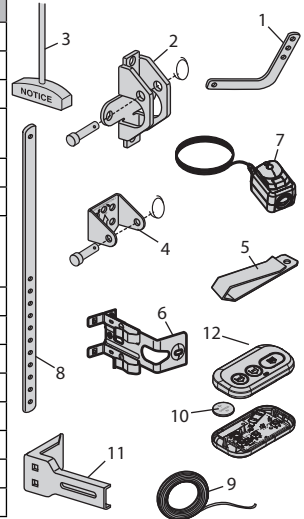
Rail Assembly Parts Models 4690L

Description	Part Number
1 Chain - for 7 foot door Chain - for 8 foot door Chain - for 10 foot door Chain - for 12 foot door Chain - for 14 foot door	041D3484 041D3483 041D3485 19-5812 19-5814
2 Chain Pulley Bracket	041A2780
3 Master link	004A1008
4 One - piece rail 7 feet One - piece rail 8 feet One - piece rail 10 feet One - piece rail 12 feet One - piece rail 14 feet	3707CH 3708CH 3710CH 3712RV 3714RV
5 Trolley Assembly Includes: Master Link (1), Clevis Pin (1), Ring (1), Threaded Shaft (1), and Nuts (2)	041A3489
6 Trolley Threaded Shaft	K109B0018



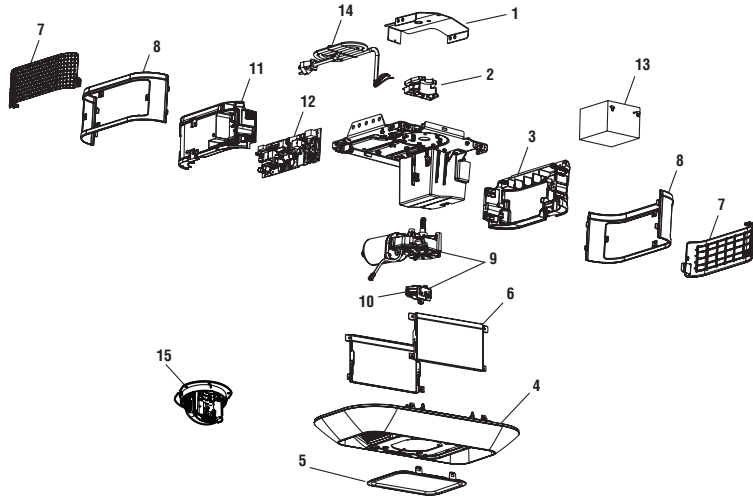
Installation Parts

Description	Part Number
1 Curved door arm	041B0035B
2 Door bracket with clevis pin and fastener	041A5047-1
3 Emergency release rope and handle	041A2828
4 Header bracket with clevis pin and fastener	041A4353-1
5 Remote control visor clip	041-0494-000
6 Safety sensor bracket	041-0155-000
7 Safety sensor kit with receiving and sending sensors with 3 feet (.9 m) 2-conductor wire	041-0136
8 Straight door arm	4178B0034B
9 White and red/white wire	041B4494-1
10 3V CR2032 lithium battery	K010A0020
11 Extension bracket (optional)	041A5281-1
12 Remote Control	L993M
Not Shown	
Smart Control Panel	L958W
Installation hardware bag	041A2770-17



Repair Parts (continued)

Garage Door Opener Parts Model 4690

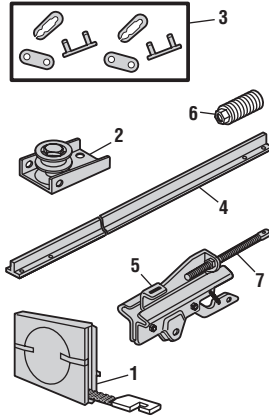


	Description	Part Number
1	Chassis Support Bracket	041C5069
2	Chain Spreader & Sprocket	041-0035
3	End Panel, Battery Access	041-0500-000
4	Integrated LED Light Module	041-0502-000
5	Badge with Camera	041-0501-000
6	Main Enclosure Cover	041-0190-000
7	Control Door Panel	041-0192-000
8	End panel cover	041-0193-000
9	Motor with travel module	041-0236-000
10	Travel Module	041D8071-4
11	Logic board end panel	041-0503-000
12	Logic board	030DCT
13	Backup battery	485LM
14	Line cord	041-0505-000
15	Camera	041-0506-000
	Not Shown	
	Wire harness	041-0507-000
	Transformer	041-0509-000

Repair Parts (continued)

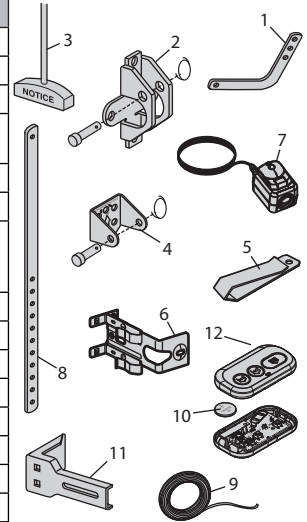
Assembly Parts Model 6580L

Description	Part Number
1 Belt - for 7 foot door Belt - for 8 foot door Belt - for 10 foot door	041A5434-11A 041A5434-13A 041A5434-14A
2 Belt Pulley Bracket	041B5424
3 Master link	004A1008
4 One-Piece Rail 7 feet (2.1 m) One-Piece Rail 8 feet (2.4 m) One-Piece Rail 10 feet (3 m)	2777BD 2778BD 2770BD
5 Trolley Assembly Includes: Master Link (2), Clevis Pin (1), Ring (1), Belt Clip (1), Threaded Shaft (1), and Tensioner Assembly (1)	041B3869-3A
6 Spring Trolley Nut	041B4103
7 Trolley Threaded Shaft	041A6689



Installation

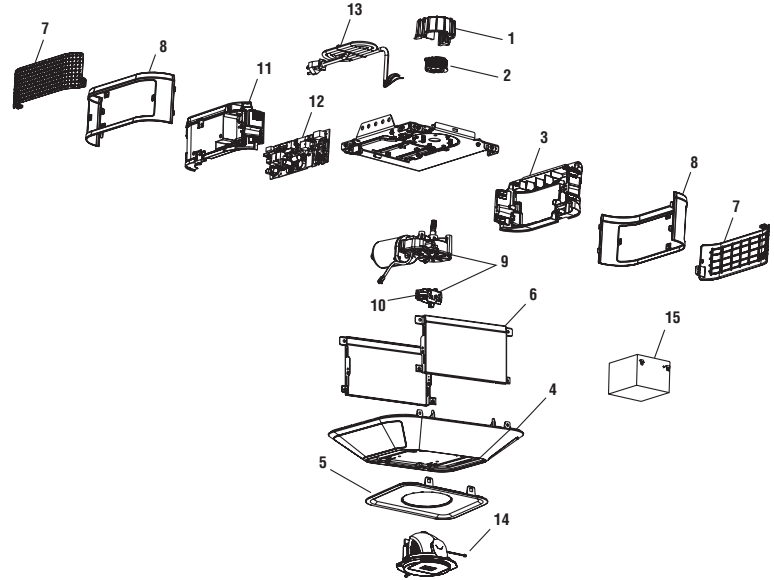
Description	Part Number
1 Curved door arm	041B0035B
2 Door bracket with clevis pin and fastener	041A5047-1
3 Emergency release rope and handle	041A2828
4 Header bracket with clevis pin and fastener	041A4353-1
5 Remote control visor clip	041-0494-000
6 Safety sensor bracket	041-0155-000
7 Safety sensor kit with receiving and sending sensors with 3 feet (.9 m) 2-conductor wire	041-0136
8 Straight door arm	4178B0034B
9 White and red/white wire	041B4494-1
10 3V CR2032 lithium battery	K010A0020
11 Extension bracket (optional)	041A5281-1
12 Remote Control	L993M
Not Shown	
Installation hardware bag	041A2770-17
Multi-function Control Panel	L957W



Repair Parts

Garage Door Opener Parts 6580

Description		Part Number
1	Belt Cap Retainer	041C1751
2	Sprocket	041B5348-2
3	End panel	041-0184-000
4	Dual Light Pod Kit	041-0189-000
5	Badge	041-0196-000
6	Main Enclosure Cover	041-0191-000
7	Control door panel	041-0192-000
8	End panel cover	041-0194-000
9	Motor with travel module	041D0794-1
10	Travel module	041D0871-4
11	Logic board end panel	041-0503-000
12	Logic board	030DCT
13	Line cord	041-0505-000
14	Camera	041-0506-000
15	Backup battery	485LM
Not Shown		
	Wire harness	041-0180-000
	Camera wire harness	041-0349-000
	Transformer, Wi-Fi	041D0277-2



HOW TO ORDER REPAIR PARTS

DEVANCO  **CANADA**

19192 HAY ROAD, UNIT Q
SUMMERSTOWN, ON, K0C 2E0

TOLL FREE **1-855-931-3334**
WWW.DEVANCOCANADA.COM

**WHEN ORDERING REPAIR PARTS
PLEASE SUPPLY THE FOLLOWING INFORMATION:**

- ✓ **PART NUMBER**
- ✓ **DESCRIPTION**
- ✓ **MODEL NUMBER**